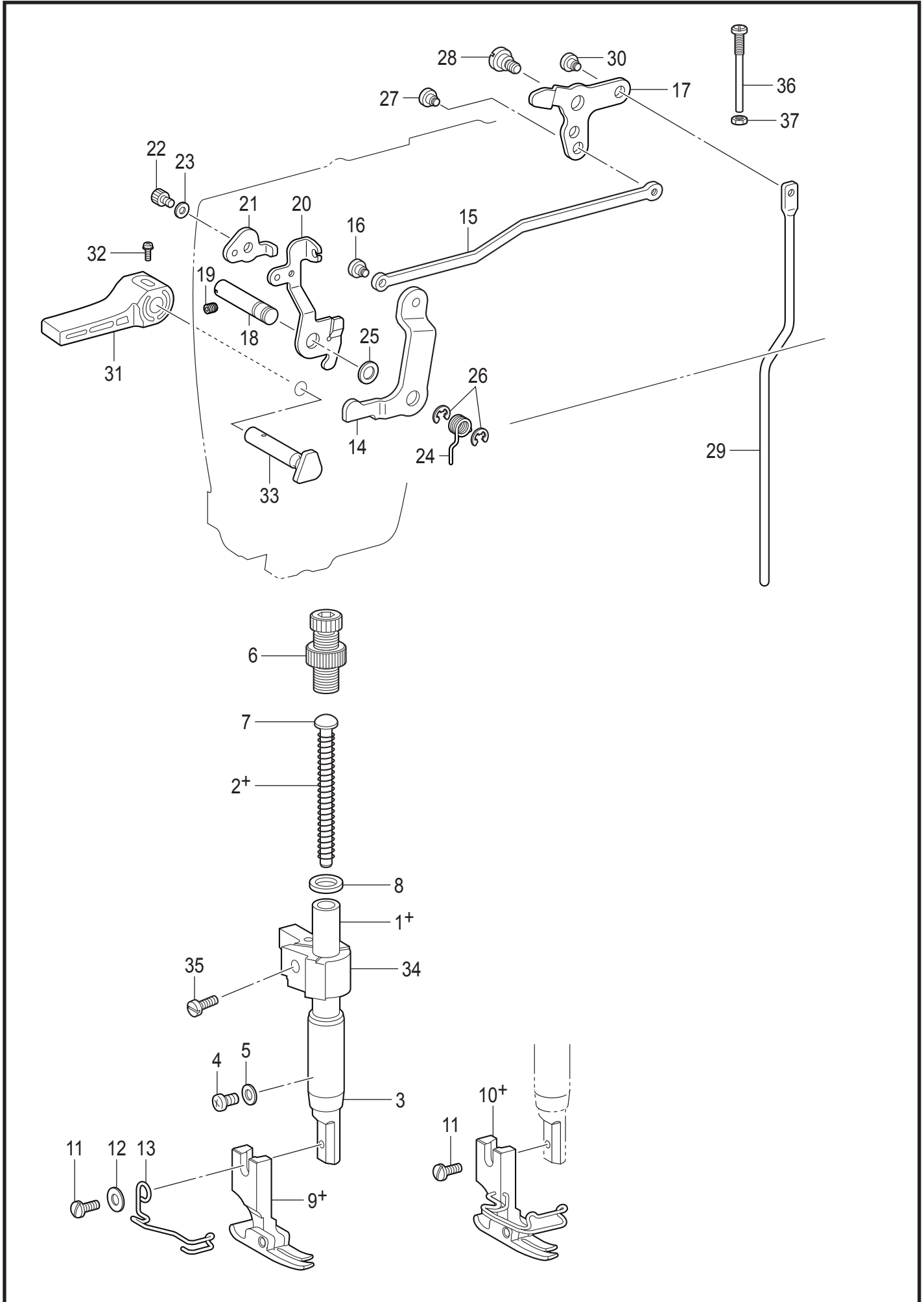


C. 压脚装置 / Presser foot mechanism

S7250A-

参照号	零部件序号	数量	零部件名称	NAME OF PARTS	RM
1	111466121	1	压紧杆	PRESSER BAR	
2	SB3785001	1	压紧杆轴套	PRESSER BAR BUSH	
3	SB2267002	1	调压螺栓组件	PRESSER ADJUSTING SCREW ASSY	
4	SB3786001	1	弹簧导杆	SPRING GUIDE	
			<用于-□03>	<For -□03>	
5+	S13561101	1	压杆弹簧	PRESSER BAR SPRING	
			<用于-□05>	<For -□05>	
5+	141728001	1	压杆弹簧	PRESSER BAR SPRING	
			<使用螺钉固定护指器>	<Finger guard screwed type>	
			<用于-□03>	<For -□03>	
6+	*P.47-50	1	压脚组件	PRESSER FOOT ASSY	
			<用于-□05>	<For -□05>	
6+	*P.47-50	1	压脚组件	PRESSER FOOT ASSY	
			<用于-□05 日本>	<For -□05 Japan>	
6+	*P.47-50	1	压脚组件	PRESSER FOOT ASSY	
			<护指器一体式>	<Finger guard integral type>	
			<用于-□03>	<For -□03>	
7+	*P.49	1	压脚组件	PRESSER FOOT ASSY W/F-GUARD	
			<用于-□05>	<For -□05>	
7+	*P.49	1	压脚组件	PRESSER FOOT ASSY W/F-GUARD	
8	140407001	1	垫圈	WASHER	
9	S13385001	1	螺钉 SM3.57-40X10	SCREW, SM3.57-40X10	
10	150384101	1	护指器	FINGER GUARD	
11	025350132	1	平垫圈 S3.5	WASHER PLAIN S 3.5	
12	SA8152101	1	膝控提升杆短轴	PRESSER BAR LIFTER SHAFT	
13	012500536	1	螺钉 M5X5	SET SCREW SOCKET (FT) M5X5	
14	S02546402	1	松线架	TENSION RELEASE PLATE	
15	S46736001	1	弹簧	W-CLAMP LIFTER LEVER SPRING	
16	048040342	2	挡圈 E4	RETAINING RING E4	
17	145580001	1	膝控提升左杠杆	LIFTER LEVER P-BAR	
18	SB7286001	1	膝控连杆	KNEE LIFTER CONNECTING ROD	
19	SB3878001	1	轴位螺钉 SM4.76	SHOULDER SCREW SOCKET SM4.76	
20	SA1179001	2	轴位螺钉 M5	SHOULDER SCREW, M5	
21	SB7287001	1	膝控提升手杆	KNEE LIFTER LEVER	
22	SA2165001	1	轴位螺钉 M6	SHOULDER SCREW, M6	
23	SB7288101	1	膝控提升杆	KNEE LIFTER BAR	
24	062063016	1	螺钉 M6X30	SCREW PAN M6X30	
25	021060306	1	六角螺母 M6	NUT 3 M6	
26	S31006002	1	抬压脚扳手	LIFTING LEVER	
27	S39051001	1	螺钉(带垫圈) M3.5X12	SCREW, PAN (S/P W) M3.5X12	
28	S31952021	1	压紧杆扳手曲柄	PRESSER BAR LIFTER CRANK	
29	081004070	1	O形圈 P4	O RING P4	
30	SB4285001	1	压紧杆导架	PRESSER BAR GUIDE BRACKET	
31	142403001	1	螺钉 SM5.95-28X10	BOLT, (CP) SM5.95-28X10	

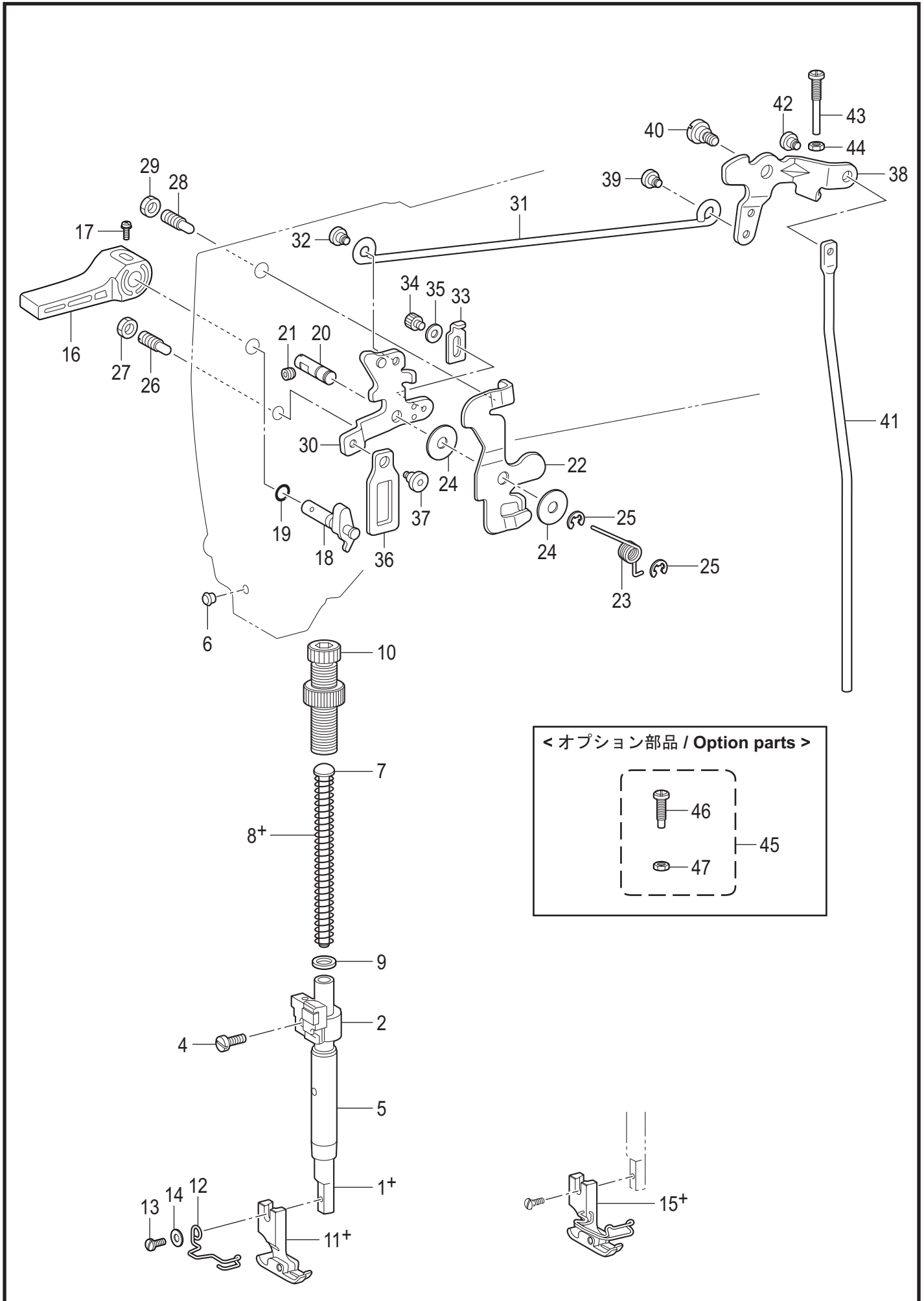
D. 压脚装置 / Presser foot mechanism



D. 压脚装置 / Presser foot mechanism

参照号	零部件序号	数量	零部件名称	NAME OF PARTS	RM
			<用于-4[]3>	<For -4[]3>	
1+	SA9359001	1	压紧杆	PRESSER BAR	
2+	S13561101	1	压杆弹簧	PRESSER BAR SPRING	
			<用于-405>	<For -405>	
1+	SA1173101	1	压杆	PRESSER BAR	
2+	141728001	1	压杆弹簧	PRESSER BAR SPRING	
3	SA7242001	1	压杆轴套	PRESSER BAR BUSH	
4	062500616	1	螺钉 M5X6	SCREW PAN M5X6	
5	026050136	1	平垫圈 S5	WASHER PLAIN S 5	
6	SB2265002	1	调压螺拴组件	PRESSER ADJUSTING SCREW ASSY	
7	SA7607101	1	弹簧导杆	SPRING GUIDE	
8	140407001	1	垫圈	WASHER	
9+	* P.57-60	1	压脚组件	PRESSER FOOT ASSY	
10+	* P.57-60	1	压脚组件 (带护指器)	PRESSER FOOT ASSY W/F-GUARD	
11	S13385001	1	螺钉 SM3.57-40X10	SCREW, SM3.57-40X10	
12	025350132	1	平垫圈 S3.5	WASHER PLAIN S 3.5	
13	SA8100001	1	护指器	FINGER GUARD	
14	SA4483001	1	抬压连杆	PRESSER BAR LIFTER LEVER	
15	SA7407201	1	膝控提升连杆	KNEE LIFTER CONNECTING ROD	
16	SA1179001	1	轴位螺钉 M5	SHOULDER SCREW, M5	
17	SA7406201	1	膝控提升手杆	KNEE LIFTER LEVER	
18	SA1181101	1	抬压连杆轴	PRESSER BAR LIFTER LEVER SHAFT	
19	012500536	1	螺钉 M5X5	SET SCREW SOCKET (FT) M5X5	
20	SA9154001	1	松线板	TENSION RELEASE PLATE	
21	SA8069001	1	松线板	T-RELEASE PLATE	
22	018400532	1	螺栓 M4X5	BOLT SOCKET M4X5	
23	025040232	1	平垫圈 M4	WASHER PLAIN M 4	
24	SA1186001	1	抬压连杆弹簧	P-BAR LIFTER LEVER SPRING	
25	S07350001	1	垫圈	WASHER PLAIN	
26	048050342	2	挡圈 E5	RETAINING RING E5	
27	SA1179001	1	轴位螺钉 M5	SHOULDER SCREW, M5	
28	SA2165001	1	轴位螺钉 M6	SHOULDER SCREW, M6	
29	SA7408101	1	膝控提升杆	KNEE LIFTER BAR	
30	SA1179001	1	轴位螺钉 M5	SHOULDER SCREW, M5	
31	S31006002	1	抬压脚扳手	LIFTING LEVER	
32	S39051001	1	螺钉(带垫圈)M3.5X12	SCREW, PAN (S/P W) M3.5X12	
33	S45837001	1	压紧杆提升凸轮	PRESSER BAR LIFTER CRANK	
34	SB2919001	1	压紧杆导架组件	PRESSER BAR GUIDE BRACKET ASSY	
35	SA8903001	1	螺钉 M4X12	SCREW M4X12	
36	SA4256201	1	螺钉 M6	ADJUSTING SCREW M6	
37	021060306	1	六角螺母 M6	NUT 3 M6	

C. 押え関係 / Presser foot mechanism



C. 押え関係 / Presser foot mechanism

REF.NO	CODE	QTY	品名	NAME OF PARTS	RM
1+	SA9359001	1	<-□□3用> オサエボウ	<For -□□3> PRESSER BAR	
1+	SA1173201	1	<-□05用> オサエボウ	<For -□05> PRESSER BAR	
2	SB5049001	1	オサエボウダキクミP	P-BAR GUIDE BRACKET ASSY P	
4	SA8903001	1	シメネジ4X12	SCREW M4X12	
5	SA7242001	1	オサエボウメタル	PRESSER BAR BUSH	
6	104833001	1	ゴムセン4.3	RUBBER CAP 4.3	
7	SA7607101	1	オサエバネアンナイ	SPRING GUIDE	
8+	S13561101	1	<-□□3用> オサエバネ	<For -□□3> PRESSER BAR SPRING	
8+	141728001	1	<-□05用> オサエバネ	<For -□05> PRESSER BAR SPRING	
9	140407001	1	ザガネ	WASHER	
10	SB5262001	1	オサエチョウセツネジクミ	PRESSER ADJUSTING SCREW ASSY	
11+	*P.49-50	1	<フィンガーガードねじ止め式> オサエクミ	<For finger guard screwed type> PRESSER FOOT ASSY	
12	SA8100101	1	フィンガーガード	FINGER GUARD	
13	S13385001	1	シメネジ3.57X10	SCREW, SM3.57-40X10	
14	025350132	1	ヒラザガネシヨウ3.5	WASHER PLAIN S 3.5	
15+	*P.51	1	<フィンガーガード一体式> オサエクミ	<For finger guard integral type> PRESSER FOOT ASSY W/F-GUARD	
16	S31006002	1	オサエアゲテコ	LIFTING LEVER	
17	S39051001	1	ナベザクミ35X12	SCREW, PAN (S/P W) M3.5X12	
18	SB4864001	1	オサエアゲクランク	PRESSER BAR LIFTER CRANK	
19	081004070	1	OリングP4	O RING P4	
20	SB4865001	1	オサエアゲレバージュク	PRESSER BAR LIFTER LEVER SHAFT	
21	012500536	1	アナヒラ5X5	SET SCREW SOCKET (FT) M5X5	
22	SB4867101	1	イトユルメイタ	TENSION RELEASE PLATE	
23	SB4873101	1	オサエアゲレバーバネA	SPRING A	
24	SB5229001	2	ザガネ7.3	WASHER 7.3	
25	048050342	2	トメワE5	RETAINING RING E5	
26	SB4870001	1	イトユルメホジョピン	TENSION RELEASE SUPPORT PIN	
27	021060306	1	3シュナット6	NUT 3 M6	
28	SB4870001	1	イトユルメホジョピン	TENSION RELEASE SUPPORT PIN	
29	021060306	1	3シュナット6	NUT 3 M6	
30	SB4866001	1	オサエアゲレバー	PRESSER BAR LIFTER LEVER	
31	SB4872001	1	ヒザアゲレンカン	KNEE LIFTER CONNECTING ROD	
32	SB5030001	1	ダンネジM5	SHOULDER SCREW M5	
33	SB4868001	1	イトユルメキリカエイタ	T-RELEASE REGULATOR PLATE	
34	018400532	1	アナボルト4X5	BOLT SOCKET M4X5	
35	026040236	1	ヒラザガネミガキ4	WASHER PLAIN M 4	
36	SB4869001	1	ヒキアゲイタ	LIFTING PLATE	
37	SA1179001	1	ダンネジ5	SHOULDER SCREW, M5	
38	SB4871001	1	ヒザアゲレバー	KNEE LIFTER LEVER	
39	SB5030001	1	ダンネジM5	SHOULDER SCREW M5	
40	SB0705101	1	オサエアゲリンクダンネジ	LINK SHOULDER SCREW	
41	SB4874101	1	ヒザアゲボウ	KNEE LIFTER BAR	
42	SA1179001	1	ダンネジ5	SHOULDER SCREW, M5	
43	SB5031001	1	チョウセツネジ6	ADJUSTING SCREW 6	
44	021060306	1	3シュナット6	NUT 3 M6	