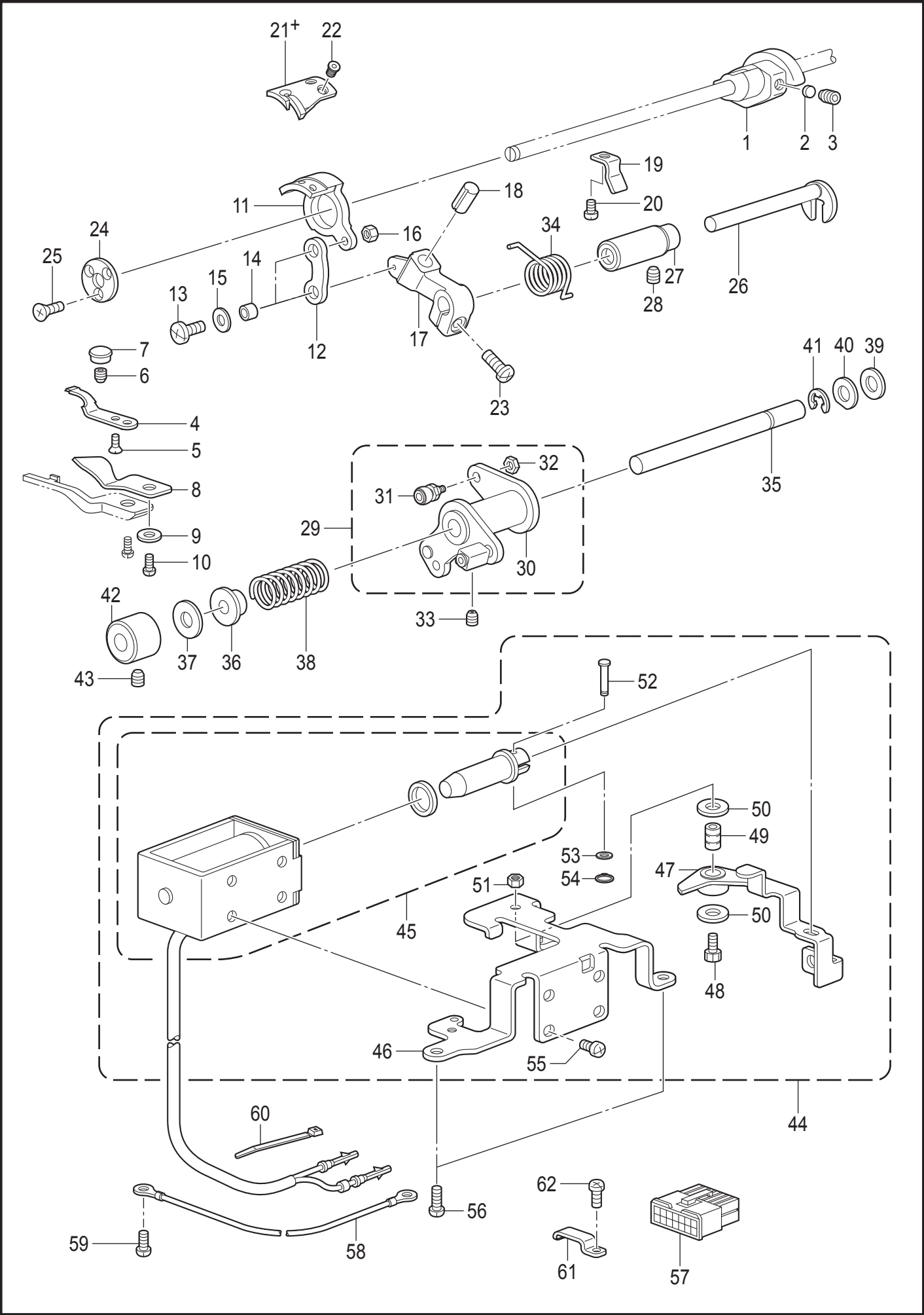


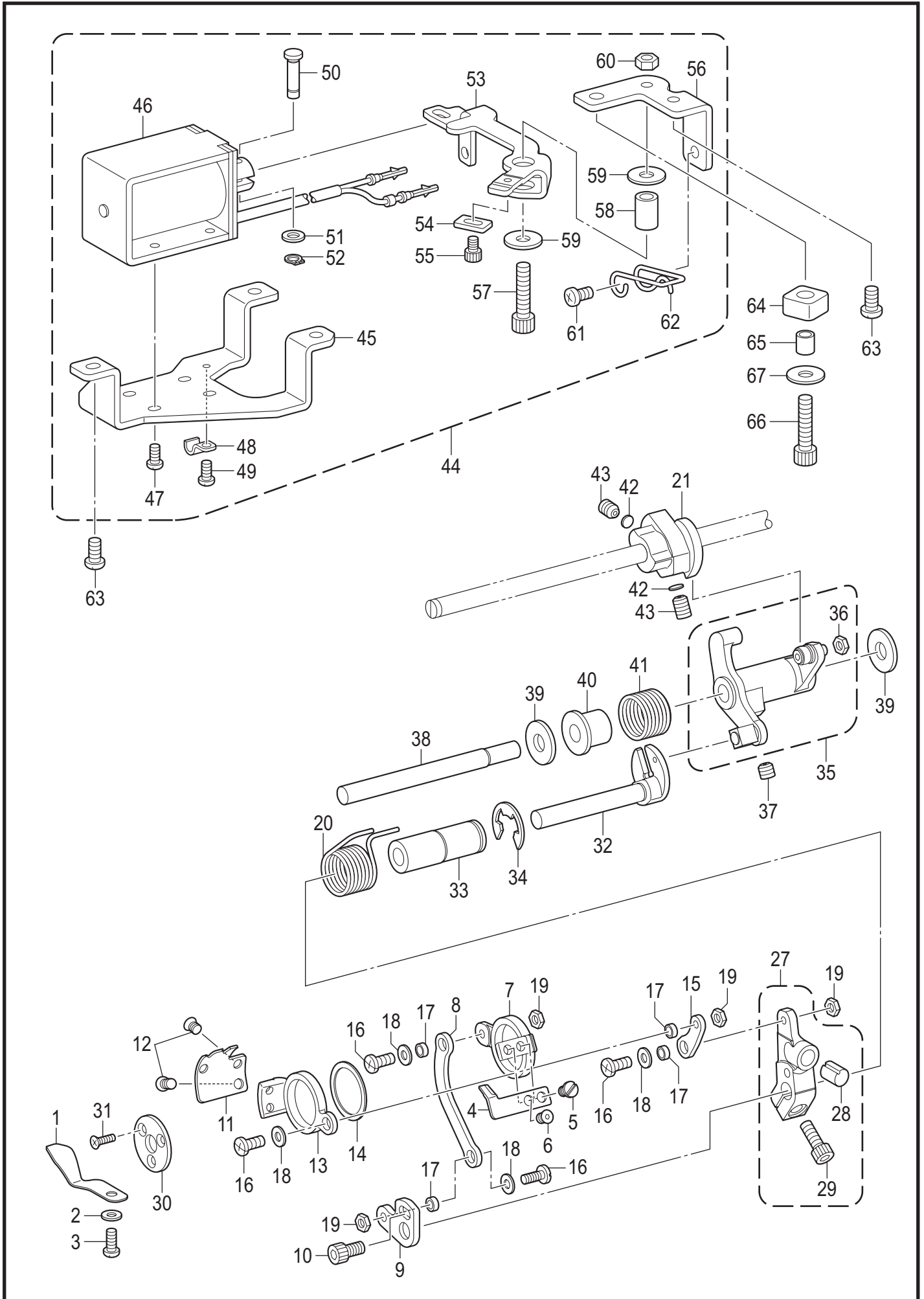
M. 切线装置 / Thread trimmer mechanism



## M. 切线装置 / Thread trimmer mechanism

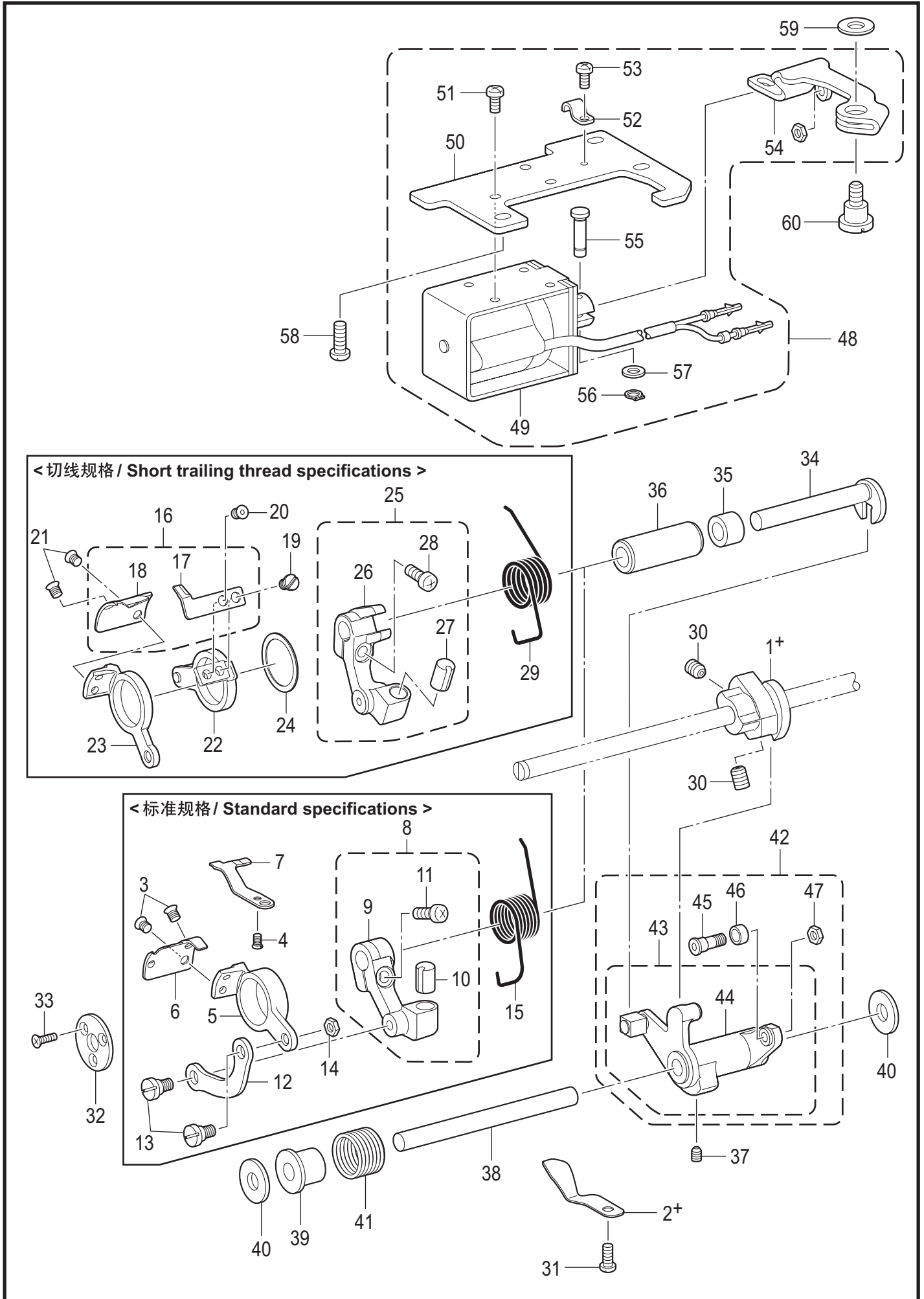
参照号	零部件序号	数量	零部件名称	NAME OF PARTS	RM
1	SA7552201	1	切线凸轮	THREAD TRIMMER CAM	
2	154567000	2	衬垫 5.3	SPACER 5.3	
3	014771032	2	固定螺钉 SM6.35-40X10	SET SCREW SOCKET SM6.35-40X10	
4	S45900101	1	固定刀	FIXED KNIFE	
5	102843004	1	平头螺钉 SM3.57	SCREW, FLAT SM3.57	
6	012300632	1	螺钉 M3X6	SET SCREW SOCKET (FT) M3X6	
7	142274201	1	橡皮塞 4.2	RUBBER CAP, 4.2	
8	154569001	1	分线器	LOWER THREAD FINGER	
9	026040236	1	平垫圈 M4	WASHER PLAIN M 4	
10	062400616	1	螺钉 M4X6	SCREW PAN M4X6	
11	SA9643001	1	切线架	HOLDER M-KNIFE	
12	S25426101	1	切线连杆	THREAD TRIMMER CONNECTING ROD	
13	060401016	2	螺钉 M4X10	SCREW BIND M4X10	
14	SA5329001	2	管套	COLLAR	
15	100645003	2	垫圈	WASHER	
16	021400306	2	六角螺母 M4	NUT 3 M4	
17	SA9755001	1	切线手杆	THREAD TRIMMER LEVER	
18	SA7285101	1	手杆定位	LEVER STOPPER	
19	SA7341401	1	切线定位板	THREAD TRIMMER STOPPER BASE	
20	062400616	1	螺钉 M4X6	SCREW PAN M4X6	
21+	159541001	1	<用于-4□3> 动刀	<For -4□3> MOVABLE KNIFE	
21+	159915001	1	<用于-405> 动刀 S	<For -405> MOVABLE KNIFE, S	
22	148537101	2	螺钉 SM4.37	SCREW, FLAT (W/SOCKET) SM4.37	
23	062501416	1	螺钉 M5X14	SCREW PAN M5X14	
24	SA7287001	1	切线架压板	KNIFE HOLDER PRESSER PLATE	
25	004301016	3	螺钉 M3X10	SCREW FLAT M3X10	
26	SB3802001	1	切刀驱动曲柄轴	FORKED SHAFT	
27	SA9710001	1	叉轴轴套	FORKED SHAFT BUSG	
28	012060536	1	螺钉 M6X5	SET SCREW, SOCKET (FT) M6X5	
29	SA1362201	1	切线凸轮曲柄总组件	THREAD TRIMMER LEVER UNIT	
30	SA1363001	1	切线凸轮曲柄组件	THREAD TRIMMER LEVER ASSY	
31	SA2258101	1	碾轮轴C组件	ROLLER SHAFT, C ASSY	
32	105234003	1	螺母 SM4.37	NUT SM4.37	
33	S23651001	1	固定螺钉 M6X6	SET SCREW SOCKET (FT) M6X6	
34	SA9371101	1	切线手杆弹簧	THREAD TRIMMER LEVER SPRING	
35	154593321	1	切刀驱动轴	THREAD TRIMMER CAM LEVER SHAFT	
36	154594000	1	挡圈	COLLAR	
37	S25434000	1	橡皮垫圈	RUBBER CUSHION	
38	154595001	1	切线凸轮复位弹簧	SPRING, EXTENSION	
39	154596000	1	减震垫圈	CUSHION	
40	110367001	1	垫圈 8	WASHER, PLAIN SPECIAL 8	
41	048060342	1	挡圈 E6	RETAINING RING E6	
42	SA1366101	1	凸轮曲柄轴套	CAM LEVER SHAFT BUSH	
43	012060536	1	螺钉 M6X5	SET SCREW, SOCKET (FT) M6X5	
44	SB9915001	1	切线电磁铁组件	THREAD TRIMMER SOLENOID ASSY	
45	SB9914001	1	切线电磁铁	THREAD TRIMMER SOLENOID	
46	SA9715101	1	切线电磁铁台	THREAD TRIMMER SOLENOID BASE	
47	SA9800101	1	电磁铁杆	SOLENOID LEVER	
48	018062536	1	螺栓 M6X25	BOLT SOCKET M6X25	
49	SA9801001	1	挡圈	COLLAR	
50	SA9827001	2	平垫圈	WASHER PLAIN	
51	021060306	1	六角螺母 M6	NUT 3 M6	
52	SA9716001	1	销	PIN	
53	026050136	1	平垫圈 S5	WASHER PLAIN S 5	
54	048050142	1	轴用挡圈 C5	RETAINING RING EXTERNAL C5	
55	062400816	4	螺钉 M4X8	SCREW PAN M4X8	
56	062501216	3	螺钉 M5X12	SCREW PAN M5X12	
57	S38687000	1	插头 5557-14R	CONNECTOR 5557-14R	

K. 糸切り関係 / Thread trimmer mechanism



## K. 糸切り関係 / Thread trimmer mechanism

REF.NO	CODE	QTY	品名	NAME OF PARTS	RM
1	SB4954101	1	イトサバキ	LOWER THREAD FINGER	
2	026040236	1	ヒラザガネミガキ4	WASHER PLAIN M 4	
3	062400616	1	ナベコ4X6	SCREW PAN M4X6	
4	SB4941001	1	ウワメス	UPPER KNIFE	
5	SB4943001	1	シメネジ4.37	FLAT SCREW 4.37	
6	148537101	1	サラネジ4.37	SCREW, FLAT (W/SOCKET) SM4.37	
7	SB4950201	1	ウワメスホルダ	UPPER KNIFE HOLDER	
8	SB4949101	1	ウワメスレンカン	UPPER KNIFE CONNECTING ROD	
9	SB4948101	1	ウワメスレバー	UPPER KNIFE LEVER	
10	018501036	1	アナボルト5X10	BOLT SOCKET M5X10	
11	SB4942101	1	シタメス	LOWER KNIFE	
12	148537101	2	サラネジ4.37	SCREW, FLAT (W/SOCKET) SM4.37	
13	SB4952101	1	シタメスホルダ	LOWER KNIFE HOLDER	
14	SB4969001	1	スペーサ	SPACER	
15	SB4951201	1	シタメスレンカン	LOWER KNIFE CONNECTING ROD	
16	060401016	4	バインド4X10	SCREW BIND M4X10	
17	SA5329001	4	カラー	COLLAR	
18	100645003	4	ザガネ	WASHER	
19	021400306	4	3シュナット4	NUT 3 M4	
20	SB4957001	1	フタマタジクモドシバネP	THREAD TRIMMER LEVER SPRING P	
21	SB4944001	1	イトキリカムB	THREAD TRIMMER CAM B	
27	SB5631101	1	イトキリレバークミ	THREAD TRIMMER LEVER ASSY	
28	SA7285101	1	レバーストツパ	LEVER STOPPER	
29	018501436	1	アナボルト5X14	BOLT SOCKET M5X14	
30	SA7287001	1	イトキリホルダオサエイタ	KNIFE HOLDER PRESSER PLATE	
31	004301016	3	+サラコ3X10	SCREW FLAT M3X10	
32	SB4955001	1	フタマタジク	FORKED SHAFT	
33	SB4956101	1	フタマタジクメタル	FORKED SHAFT BUSH	
34	SB4968001	1	トメワE12	RETAINING RING_E12	
35	SB5301001	1	イトキリカムレバーソウクミ	THREAD TRIMMER LEVER UNIT	
36	105234003	1	ナット4.37	NUT SM4.37	
37	S23651001	1	アナヒラ6X6ホソメ	SET SCREW SOCKET (FT) M6X6	
38	SB4960001	1	カムレバークミ	THREAD TRIMMER CAM LEVER SHAFT	
39	S25434000	2	クツシヨンゴム	RUBBER CUSHION	
40	SB4962001	1	カラー	COLLAR	
41	SB4961001	1	カムレバーモドシバネ	SPRING EXTENSION	
42	154567000	2	カンザ5.3	SPACER 5.3	
43	014771032	2	アナクボミ635-40X10	SET SCREW SOCKET SM6.35-40X10	
44	SB5310101	1	イトキリソレノイドクミ	THREAD TRIMMER SOLENOID ASSY	
45	SB4964001	1	イトキリソレノイドダイ	THREAD TRIMMER SOLENOID BASE	
46	SB5257001	1	イトキリソレノイド	THREAD TRIMMER SOLENOID	
47	062400816	4	ナベコ4X8	SCREW PAN M4X8	
48	140647121	1	コードオサエ	CORD HOLDER	
49	062400816	1	ナベコ4X8	SCREW PAN M4X8	
50	SA9716001	1	レンケツピン	PIN	



## K. 切线装置 / Thread trimmer mechanism

参照号	零部件序号	数量	零部件名称	NAME OF PARTS	RM
			<b>&lt;标准规格&gt;</b>	<b>&lt;Standard specifications&gt;</b>	
1+	S00337021	1	切线凸轮	THREAD TRIMMER CAM	
2+	SB7681001	1	分线器	LOWER THREAD FINGER	
3	148537101	2	螺钉 SM4.37	SCREW, FLAT (W/SOCKET) SM4.37	
4	102843004	1	平头螺钉 SM3.57	SCREW, FLAT SM3.57	
5	SB7616001	1	刀架	MOVABLE KNIFE HOLDER	
6	S02645001	1	动刀	MOVABLE KNIFE	
7	S02637101	1	固定刀	FIXED KNIFE	
8	SB7356101	1	切线器杆组件	THREAD TRIMMER LEVER ASSY	
9	SB7341101	1	切线器杆	THREAD TRIMMER LEVER	
10	SA7285101	1	手杆定位	LEVER STOPPER	
11	062501416	1	螺钉 M5X14	SCREW PAN M5X14	
12	SB7340101	1	切线连杆	THREAD TRIMMER CONNECTING ROD	
13	151987022	2	轴位螺钉 SM4.37	SHOULDER SCREW, SM4.37	
14	105234003	1	螺母 SM4.37	NUT SM4.37	
15	SB7349001	1	弹簧	SPRING EXTENSION	
			<b>&lt;切线规格&gt;</b>	<b>&lt;Short trailing thread specifications&gt;</b>	
1+	SB4944001	1	切线凸轮 B	THREAD TRIMMER CAM B	
2+	SB4954101	1	分线器	LOWER THREAD FINGER	
16	SB7723001	1	切刀组件 L	KNIFE ASSY L	
17	SB4941001	1	上刀	UPPER KNIFE	
18	SB7032001	1	下切刀 L	LOWER KNIFE L	
19	SB4943001	1	螺钉 M4.37	FLAT SCREW 4.37	
20	148537101	1	螺钉 SM4.37	SCREW, FLAT (W/SOCKET) SM4.37	
21	148537101	2	螺钉 SM4.37	SCREW, FLAT (W/SOCKET) SM4.37	
22	SB7615001	1	上切刀架	UPPER KNIFE HOLDER ASSY	
23	SB7594001	1	下切刀架	LOWER KNIFE HOLDER	
24	SB4969001	1	垫圈	SPACER	
25	SB7679001	1	切线器杆组件	THREAD TRIMMER LEVER ASSY	
26	SB7595001	1	切线手杆	THREAD TRIMMER LEVER	
27	SA7285101	1	手杆定位	LEVER STOPPER	
28	062501416	1	螺钉 M5X14	SCREW PAN M5X14	
29	SB7684001	1	弹簧	SPRING EXTENSION	
30	014771032	2	固定螺钉 SM6.35-40X10	SET SCREW SOCKET SM6.35-40X10	
31	060400616	1	螺钉 M4X6	SCREW BIND M4X6	
32	SA7287001	1	切线架压板	KNIFE HOLDER PRESSER PLATE	
33	004301016	3	螺钉 M3X10	SCREW FLAT M3X10	
34	SB3802001	1	切刀驱动曲柄轴	FORKED SHAFT	
35	S02648021	1	曲柄轴套	COLLAR	
36	SB3803001	1	叉轴轴套	FORKED SHAFT BUSH	
37	S23651001	1	固定螺钉 M6X6	SET SCREW SOCKET (FT) M6X6	
38	SB7342001	1	切线凸轮杆轴	THREAD TRIMMER CAM LEVER SHAFT	
39	154594000	1	挡圈	COLLAR	
40	S25434000	2	橡皮垫圈	RUBBER CUSHION	
41	SB4961001	1	切线凸轮复位弹簧	SPRING EXTENSION	
42	SB7343001	1	切线凸轮杆总组件	THREAD TRIMMER CAM LEVER UNIT	
43	SB7344001	1	切线凸轮杆组件	THREAD TRIMMER CAM LEVER ASSY	
44	SB7345001	1	切线凸轮杆	THREAD TRIMMER CAM LEVER	
45	SB3804001	1	滚轮轴 C	ROLLER SHAFT C	
46	SB3805001	1	滚轮	ROLLER	
47	105234003	1	螺母 SM4.37	NUT SM4.37	
48	SB7346001	1	切线电磁铁组件	THREAD TRIMMER SOLENOID ASSY	
49	SB7441001	1	切线电磁铁	THREAD TRIMMER SOLENOID	
50	SB7347001	1	电磁铁安装板	SOLENOID BASE	
51	062400816	3	螺钉 M4X8	SCREW PAN M4X8	
52	140647101	1	电线固定夹	CORD HOLDER	
53	062400816	1	螺钉 M4X8	SCREW PAN M4X8	
54	SB7348001	1	电磁铁杆	SOLENOID LEVER	
55	SA9716001	1	销	PIN	