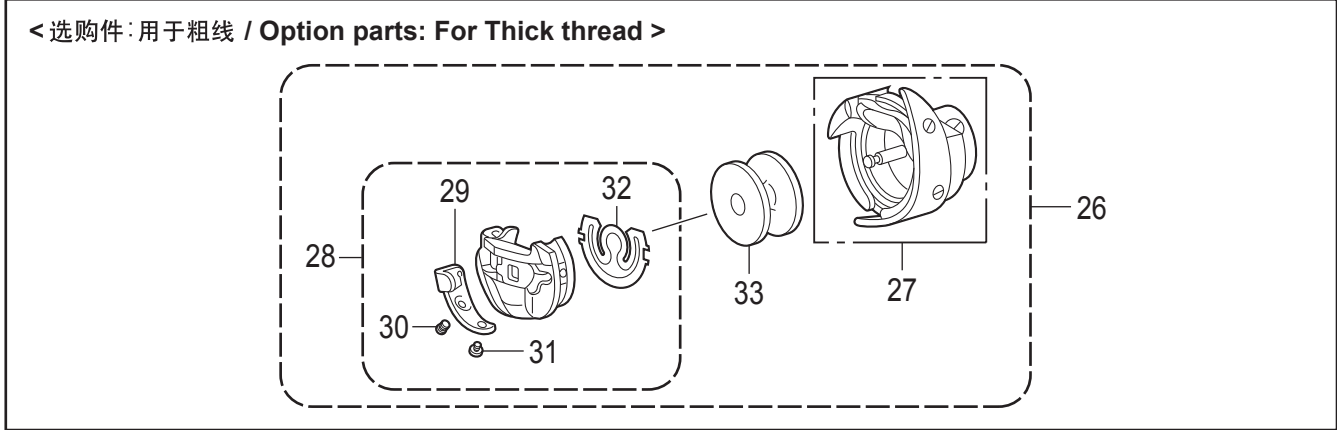
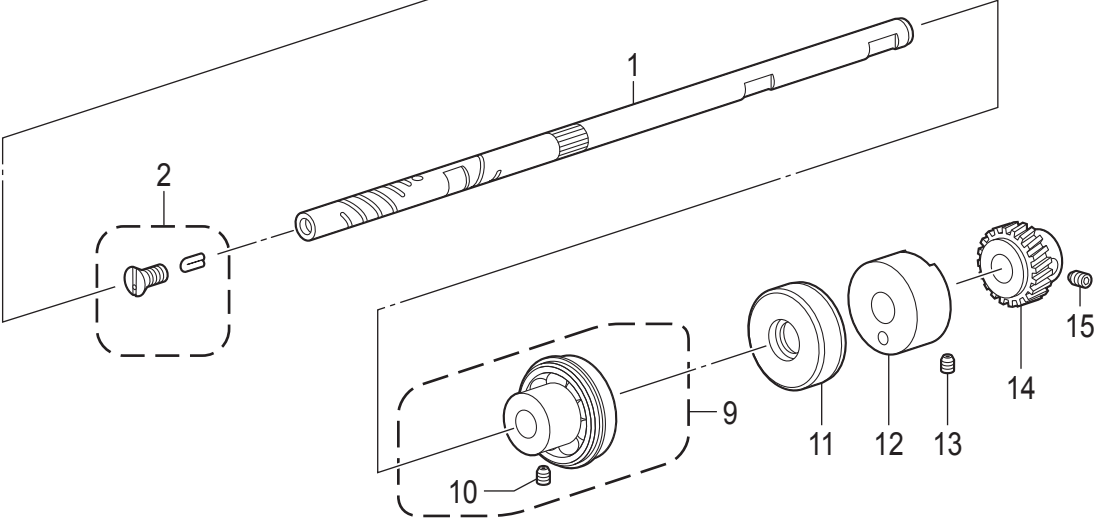
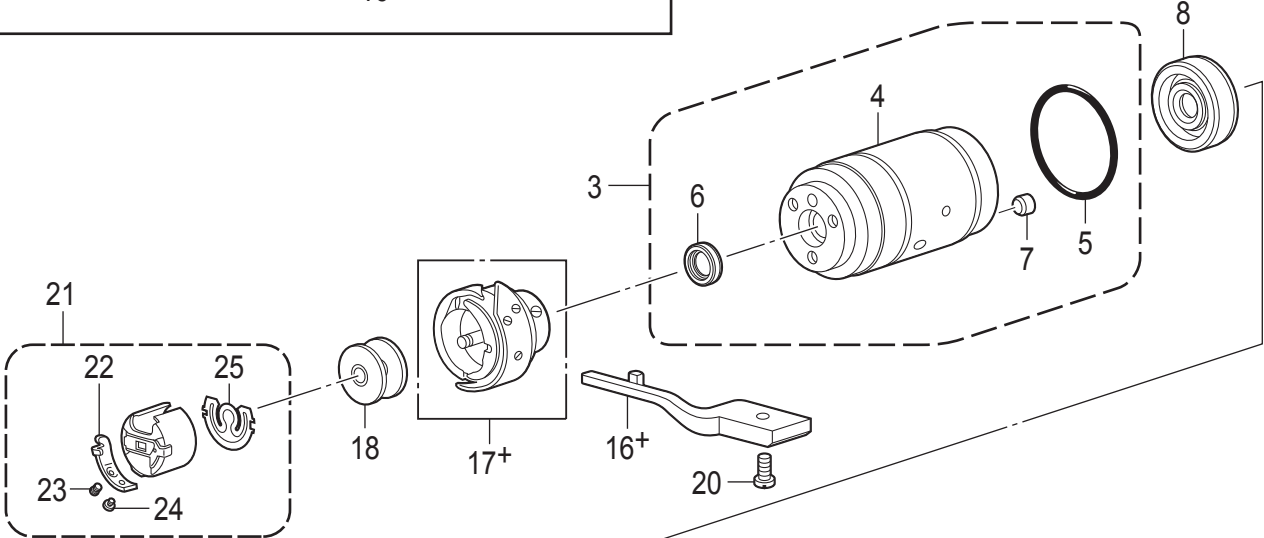
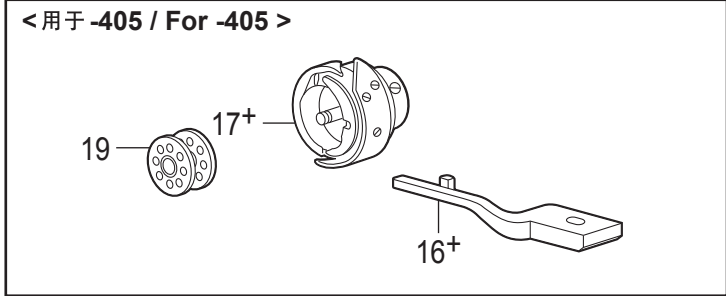


F. かま関係 / Rotary hook mechanism

REF.NO	CODE	QTY	品名	NAME OF PARTS	RM
1	SB4903001	1	カマジク	ROTARY HOOK SHAFT	
2	SB5269001	1	オイルアナフタネジクミ	SCREW CAP W/HOLE ASSY	
3	081004870	1	OリングS4	O RING S4	
4	SB5270001	1	ポンプメタルクミ	PUMP BUSH ASSY	
5	081025870	1	OリングS25	O RING S25	
6	081029870	1	OリングS29	O RING S29	
7	SB5272001	1	ベアリングブッシュクミ	BEARING BUSH ASSY	
8	S23651001	2	アナヒラ6X6ホソメ	SET SCREW SOCKET (FT) M6X6	
9	SA9684001	1	オイルシール	OIL SEAL	
10	SB4904001	1	カマジクギヤメタル	ROTARY HOOK SHAFT GEAR BUSH	
11	012060636	1	アナヒラ6X6	SET SCREW SOCKET (FT) M6X6	
12	SA1286001	1	カマジクギアクミ	ROTARY HOOK SHAFT GEAR ASSY	
13	S23651001	2	アナヒラ6X6ホソメ	SET SCREW SOCKET (FT) M6X6	
14	SB5275101	1	ゴムセン23.5クミ	RUBBER CAP 23.5 ASSY	
15+	SB5041001	1	<-□□3用> ウチカマトメ3	<For -□□3> HOOK STOPPER 3	
15+	SB5042001	1	<-□□05用> ウチカマトメ5	<For -□□05> HOOK STOPPER 5	
16	SA8903001	1	シメネジ4X12	SCREW M4X12	
17+	SB6568101	1	<-□□3用> SB5274 カマハコクミ	<For -□□3> ROTARY HOOK ASSY W/BOX SB5274	
17+	SB1677101	1	<-□□05用> SB1678 カマハコクミ	<For -□□05> ROTARY HOOK ASSY W/BOX SB1678	
18	S03245001	1	ボビンケースクミ	BOBBIN CASE ASSY	
19	183388001	1	ボビンケースチヨウシバネ	TENSION SPRING	
20	183389001	1	チヨウシバネチヨウセツネジ	ADJUSTING SCREW	
21	183390001	1	チヨウシバネトメネジ	SET SCREW	
22	S03246001	1	クウテンボウシバネ	ANTI-SPIN SPRING	
23	146290001	1	<-□□3用> ボビン	<For -□□3> BOBBIN	
24	117132001	1	<-□□05用> ボビン	<For -□□05> BOBBIN	

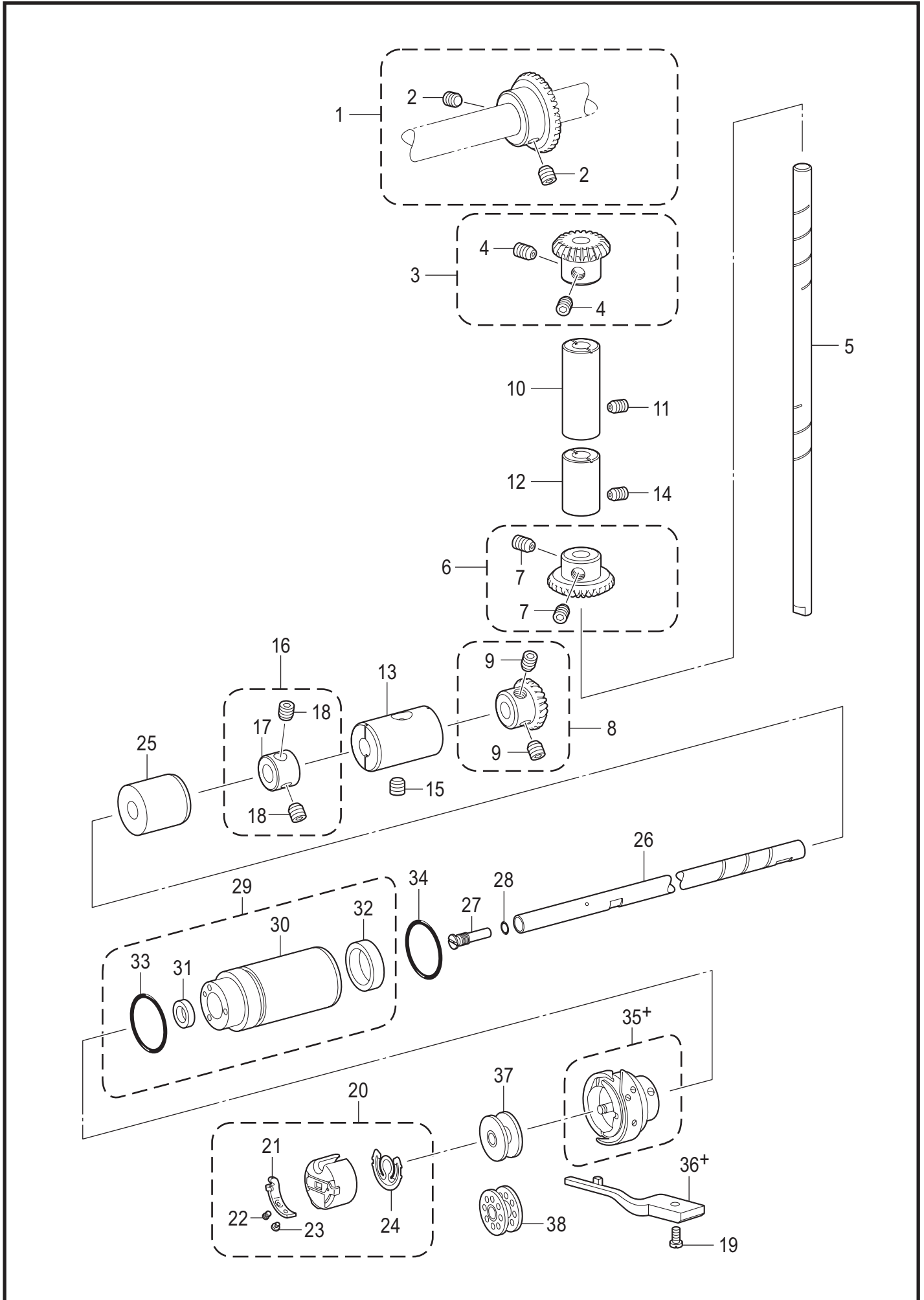
H. 旋梭装置 / Rotary hook mechanism



H. 旋梭装置 / Rotary hook mechanism

参照号	零部件序号	数量	零部件名称	NAME OF PARTS	RM
1	SA9682101	1	旋梭轴	ROTARY HOOK SHAFT	
2	SA9945201	1	油盖螺钉组件	SCREW CAP W/HOLE ASSY	
3	SA8471201	1	泵轴套总组件	PUMP BUSH UNIT	
4	SA8472201	1	泵轴套组件	PUMP BUSH ASSY	
5	081025870	1	O形圈 S25	O RING S25	
6	SA7320001	1	油封	OIL SEAL	
7	142274201	1	橡皮塞 4.2	RUBBER CAP 4.2	
8	SA9684001	1	油封	OIL SEAL	
9	SA7554101	1	轴承轴套组件	BEARING BUSH ASSY	
10	S23651001	2	固定螺钉 M6X6	SET SCREW SOCKET (FT) M6X6	
11	SA1284101	1	油封	OIL SEAL	
12	SA1285001	1	旋梭轴齿轮轴套	ROTARY HOOK SHAFT GEAR BUSH	
13	012061036	1	螺钉 M6X10	SET SCREW SOCKET (FT) M6X10	
14	SB2405001	1	旋梭轴齿轮组件	ROTARY HOOK SHAFT GEAR ASSY	
15	S23651001	2	固定螺钉 M6X6	SET SCREW SOCKET (FT) M6X6	
			<用于-4[]3>	<For -4[]3>	
16+	SA7830001	1	旋梭定位钩	HOOK STOPPER	
17+	SB1305001	1	盒装旋梭组件 SB3338	ROTARY HOOK ASSY W/BOX SB3338	
18	146290001	1	梭芯	BOBBIN	
			<用于-405>	<For -405>	
16+	SA7829001	1	旋梭定位钩	HOOK STOPPER	
17+	SB1677001	1	盒装旋梭组件 SB1678	ROTARY HOOK ASSY W/BOX SB1678	
19	117132001	1	梭芯	BOBBIN	
20	SA8903001	1	螺钉 M4X12	SCREW M4X12	
21	S20553101	1	梭芯套组件	BOBBIN CASE ASSY	
22	183291001	1	梭芯套调整簧片	TENSION SPRING	
23	183292101	1	梭芯套调整螺钉	ADJUSTING SCREW	
24	183293001	1	梭芯套调整螺钉	SET SCREW	
25	148967101	1	空转防止弹簧	ANTI-SPIN SPRING	
			<选购件: 用于粗线>	<Option parts: For Thick thread>	
26	SA1719001	1	S53203旋梭盒复合件	ROTARY HOOK SET, W/BOX S53203	
27	SA1718001	1	S53203旋梭盒组件	ROTARY HOOK ASSY, W/BOX S53203	
28	S24904201	1	梭芯套1.7组件	BOBBIN CASE ASSY, 1.7	
29	S24905101	1	调整弹簧	TENSION SPRING	
30	183809001	1	旋梭调整螺钉	ADJUSTING SCREW	
31	183810001	1	固定螺钉	SET SCREW	
32	183811001	1	空转防止簧	ANTI-SPIN SPRING	
33	S23848001	1	梭芯 1.7	BOBBIN, 1.7	

F. 旋梭装置 / Rotary hook mechanism



F. 旋梭装置 / Rotary hook mechanism

参照号	零部件序号	数量	零部件名称	NAME OF PARTS	RM
1	SB2032001	1	上轴斜齿轮组件	UPPER SHAFT BEVEL GEAR ASSY	
2	014770632	2	螺钉 SM6.35-40X6	SET SCREW SOCKET SM6.35-40X6	
3	SB2034001	1	竖轴伞齿轮组件 U	VERTICAL BEVEL GEAR ASSY U	
4	014770632	2	螺钉 SM6.35-40X6	SET SCREW SOCKET SM6.35-40X6	
5	SB7285001	1	竖轴	VERTICAL SHAFT	
6	SB2036001	1	竖轴伞齿轮组件 D	VERTICAL BEVEL GEAR ASSY D	
7	014770632	2	螺钉 SM6.35-40X6	SET SCREW SOCKET SM6.35-40X6	
8	SB2038001	1	下轴斜齿轮组件	LOWER SHAFT BEVEL GEAR ASSY	
9	014770632	2	螺钉 SM6.35-40X6	SET SCREW SOCKET SM6.35-40X6	
10	142708120	1	竖轴上轴套	VERTICAL SHAFT BUSH U	
11	012060636	1	螺钉 M6X6	SET SCREW SOCKET (FT) M6X6	
12	SB3856001	1	竖轴下轴套	VERTICAL SHAFT BUSH D	
13	SB7318001	1	下轴右轴套	LOWER SHAFT BUSH R	
14	012060636	1	螺钉 M6X6	SET SCREW SOCKET (FT) M6X6	
15	012060636	1	螺钉 M6X6	SET SCREW SOCKET (FT) M6X6	
16	SB3796001	1	紧圈组件	SET SCREW COLLAR ASSY	
17	SB3797001	1	紧圈	SET SCREW COLLAR	
18	014770632	2	螺钉 SM6.35-40X6	SET SCREW SOCKET SM6.35-40X6	
19	SA8903001	1	螺钉 M4X12	SCREW M4X12	
20	S06573101	1	梭心套组件	BOBBIN CASE ASSEMBLY	
21	183388001	1	旋芯套调整簧片	TENSION SPRING	
22	183389001	1	旋芯套调整螺钉	ADJUSTING SCREW	
23	183390001	1	固定螺钉	SET SCREW	
24	S06594001	1	空转防止弹簧	SPRING, ANTI-SPIN	
25	SB7319001	1	下轴套组件 M	LOWER SHAFT BUSH M	
26	SB7322101	1	旋梭轴	ROTARY HOOK SHAFT	
27	SB7592001	1	油盖螺钉组件	SCREW CAP W/HOLE ASSY	
28	081004870	1	O形圈 S4	O RING S4	
29	SB7682001	1	泵轴套组件	PUMP BUSH ASSY	
30	SB7683001	1	泵轴套	PUMP BUSH	
31	SA7320001	1	油封	OIL SEAL	
32	SA9684001	1	油封	OIL SEAL	
33	081024870	1	O形圈 S24	O RING S24	
34	081028870	1	O形圈 S28	O RING S28	
35+	SB6568001	1	<用于-□03> 盒装旋梭组件 SB5274	<For -□03> ROTARY HOOK ASSY W/BOX SB5274	
36+	SB5041001	1	旋梭定位钩3	HOOK STOPPER 3	
37	146290021	1	梭芯	BOBBIN	
35+	SB1677001	1	<用于-□05> 盒装旋梭组件 SB1678	<For -□05> ROTARY HOOK ASSY W/BOX SB1678	
36+	SB5042001	1	旋梭定位钩5	HOOK STOPPER 5	
38	117132001	1	梭芯	BOBBIN	