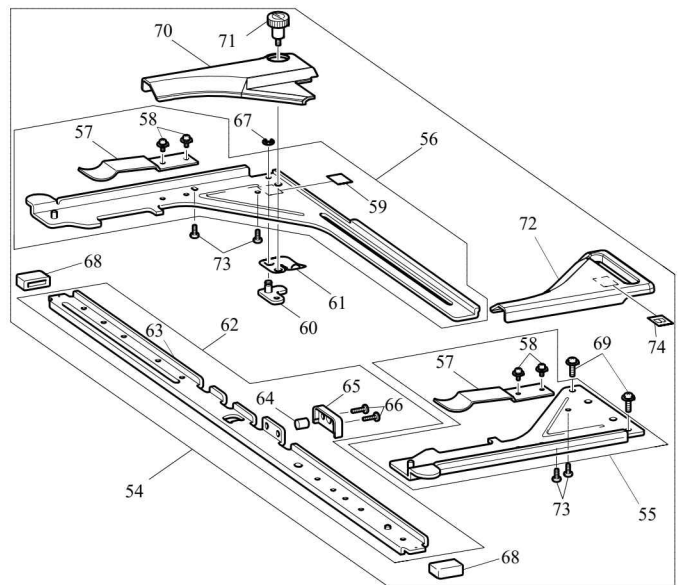
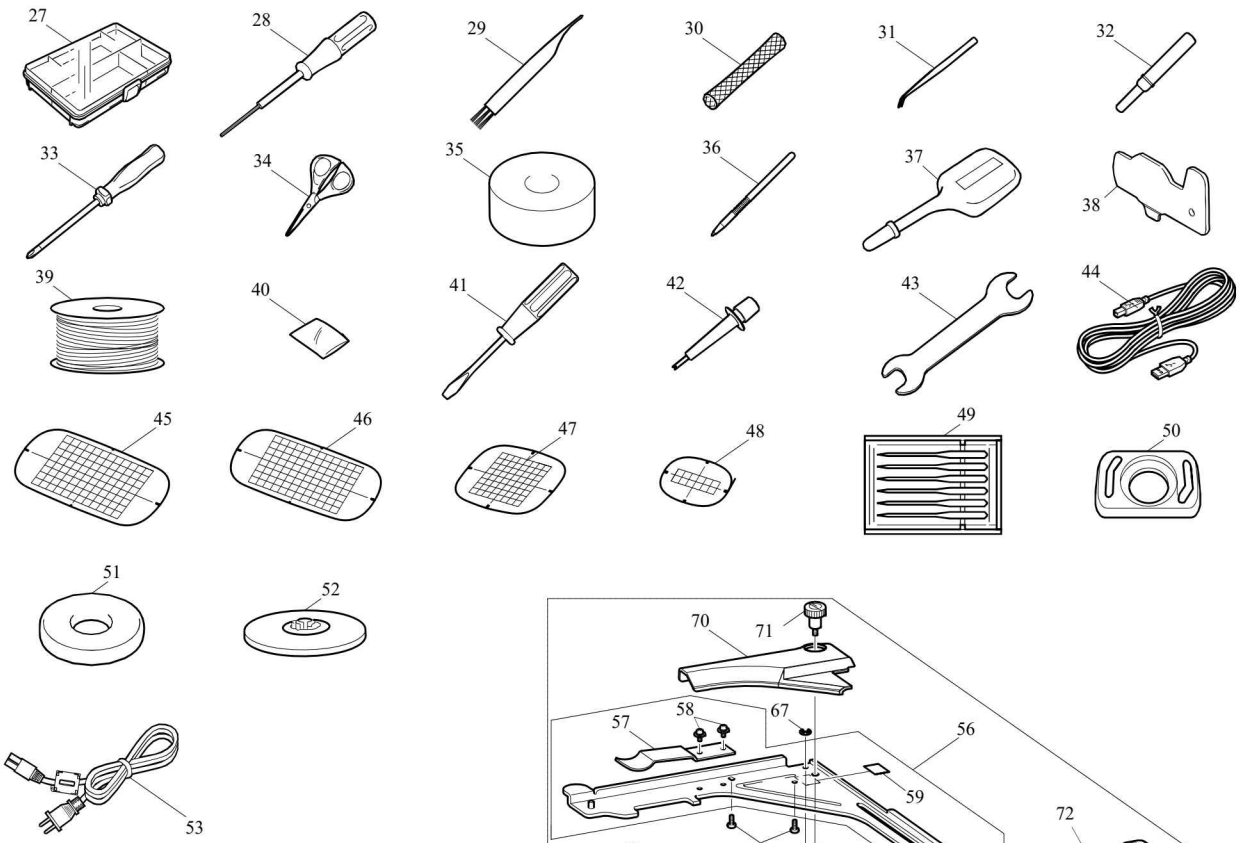
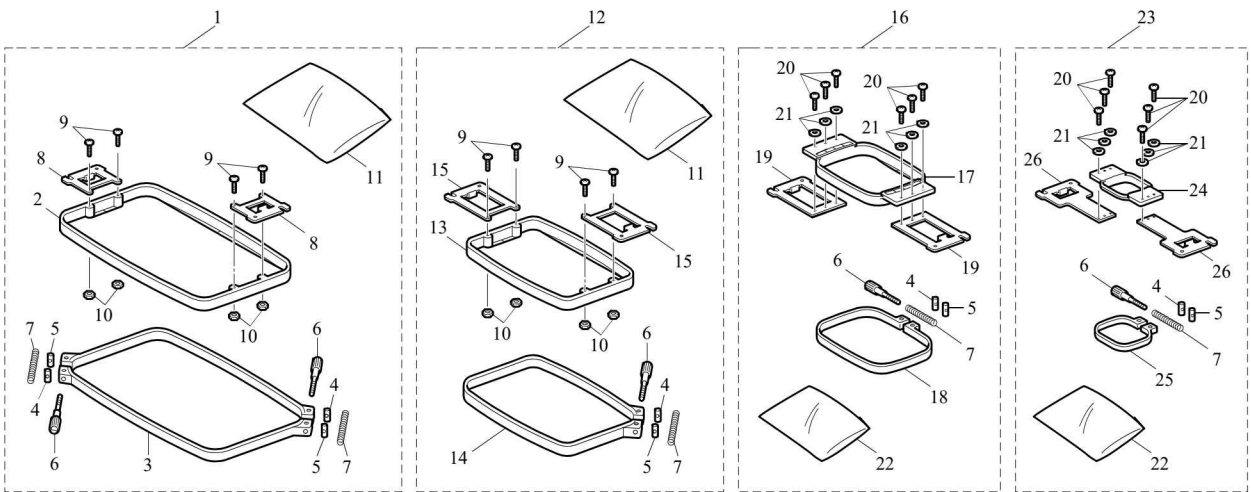


(13)_ACCESSORY PARTS



(13)_ACCESSORY PARTS

No.	CODE	NAME	MODEL	SPEC	REMARKS	R/H
1	XC5954051	TUBULAR FRAME 30X20 ASSY				
2	XC5955051	TUBULAR FRAME 30X20 INNER				
3	XC5956151	TUBULAR FRAME 30X20 OUTER				
4	XH4613001	COLLAR				
5	XH4614001	NUT, M4				
6	XC5957051	SCREW, M4				
7	S36043000	SPRING, COMPRESSION 5.3X47.7				
8	XC5958051	HOLDER 30X20				
9	062401416	SCREW, PAN M4X14				
10	021400206	NUT, 2 M4				
11	X60224051	BAG 350X700H				
12	XC5959051	TUBULAR FRAME 18X13 ASSY				
13	XC5960051	TUBULAR FRAME 18X13 INNER				
14	XC5961051	TUBULAR FRAME 18X13 OUTER				
15	XC5963051	HOLDER 18X13				
16	XC5964051	TUBULAR FRAME 10X10 ASSY				
17	XC5965051	TUBULAR FRAME 10X10 INNER				
18	XC5966051	TUBULAR FRAME 10X10 OUTER				
19	XC5968051	HOLDER 10X10				
20	060300516	SCREW, BIND M3X5				
21	025030236	WASHER, PLAIN M 3				
22	XZ0197051	BAG 180X470				
23	XC5969051	TUBULAR FRAME 06X04 ASSY				
24	XC5970051	TUBULAR FRAME 06X04 INNER				
25	XC5971051	TUBULAR FRAME 06X04 OUTER				
26	XC5973051	HOLDER 06X04				
27	XC6482051	ACCESSORY CASE				
28	XC5159051	HEXAGONAL DRIVER, 1.5				
29	X59476051	CLEANING BRUSH				
30	S34455000	NET, 160L				
31	XC6542051	PINCETTE				
32	XF4967001	RIPPER ASSY				
33	XC6543051	SCREW DRIVER 2X100				
34	XF2052001	SCISSORS				
35	XC5974151	BOBBIN TENSION GAUGE				
36	XA9940051	TOUCH PEN				
37	D01H2N001	OILER B ASSY				
38	XH4670001	NEEDLE PLATE FIXING METAL				
39	XH3619001	PREWOUND BOBBIN				
40	X60838051	BAG 70X110C				
41	X55468051	SCREW DRIVER S				
42	XF2212101	NEEDLE EXCHANGE TOOL				
43	XC6159051	WRENCH 13X10				
44	XD1851051	USB I/F CORE CABLE 3M				