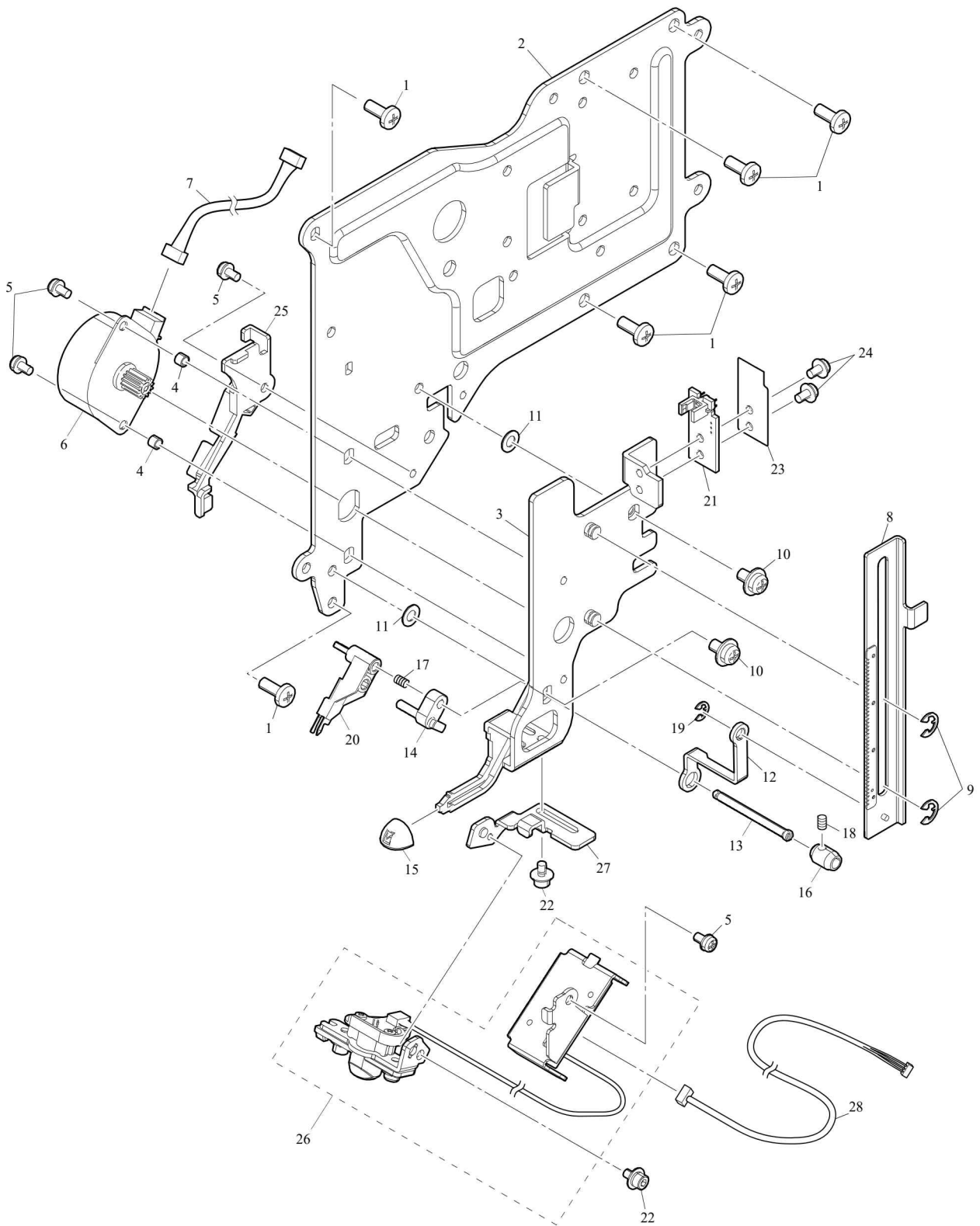


# (5)\_NEEDLE THREADING MECHANISM



## (5)\_NEEDLE THREADING MECHANISM

No.	CODE	NAME	MODEL	SPEC	REMARKS	R/H
1	X57908052	TAPTITE, BIND S M4X10				
2	D01TTP001	THREAD GUIDE BASE PR68				
3	XG3146001	BASE PLATE ASSY				
4	XC5727151	SPACER				
5	062300616	SCREW PAN M3X6				
6	XG5376101	PULSE MOTOR:M35SP-9NK A439				
7	XG5367001	LEAD WIRE ASSY THPM				
8	XC6507051	RACK ASSY				
9	048040343	RETAINING RING, E4				
10	0A5400806	SCREW, PAN (S/P WASHER) M4X8				
11	025040136	WASHER, PLAIN S 4				
12	XC5730051	HOOK HOLDER LINK				
13	XC5739151	HOOK HOLDER AXIS B				
14	XC6510051	SET COLLAR ASSY				
15	XF2672001	CAP				
16	XC6076151	BUSH				
17	XC7375051	HOOK HOLDER SPRING				H
18	014300332	SET SCREW, SOCKET (CP) M3X3				
19	048030343	RETAINING RING, E3				
20	XC5732151	HOOK HOLDER ASSY				R/H
21	XG4169001	NEEDLE TH SENSOR PCB ASSY				
22	XE7911001	BOLT SOCKET(S/P WASHER)M3X6				
23	XE7791101	INSULATION SHEET				
24	XC7564051	SCREW PAN (S/P WASHER) M3X6				
25	D01TT8101	LM LEAD WIRE GUIDE				
26	D023A8001	LASER MODULE SUPPLY ASSY				
27	D01TTB001	LM BASE PLATE				
28	D01UFG001	LEAD WIRE ASSY LM-MAIN				