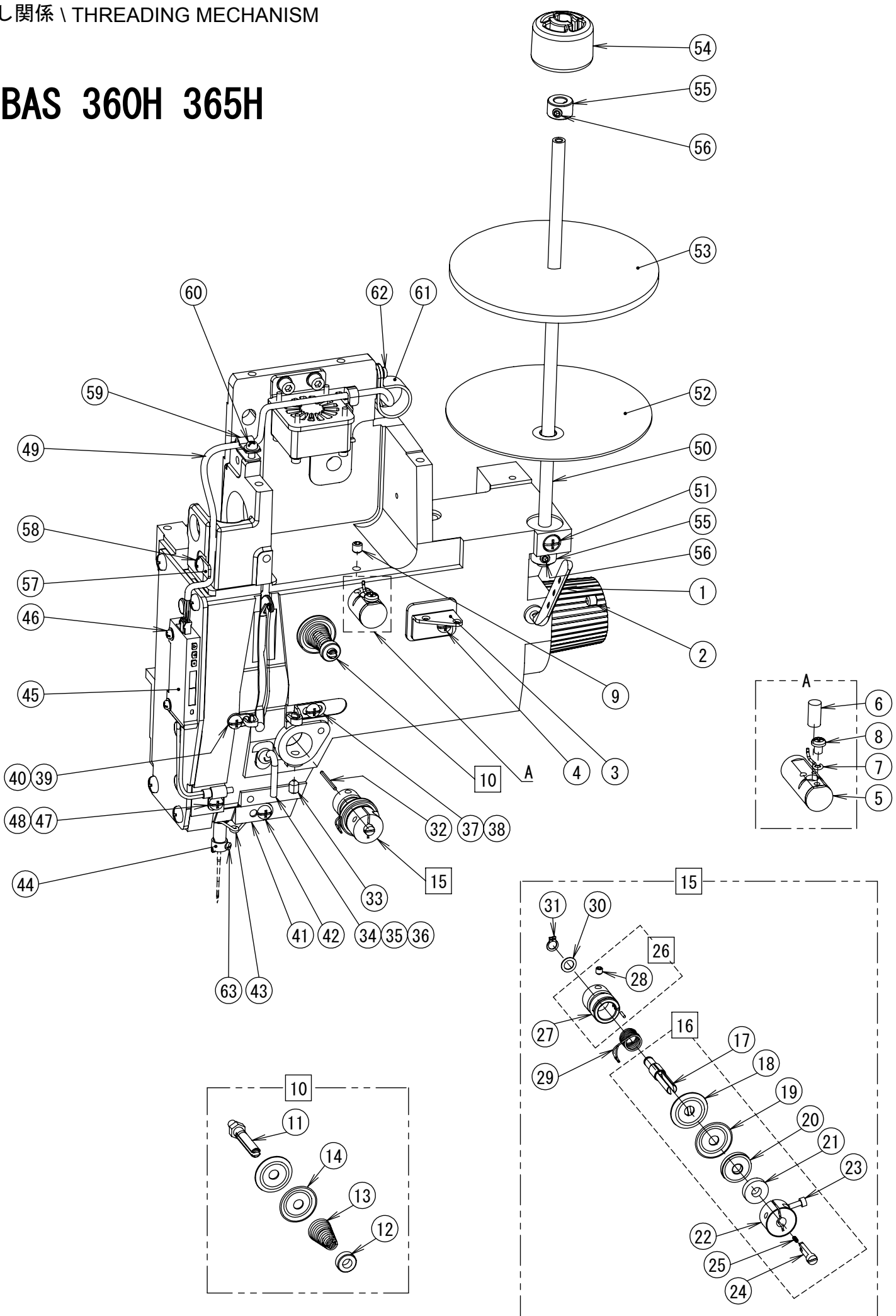
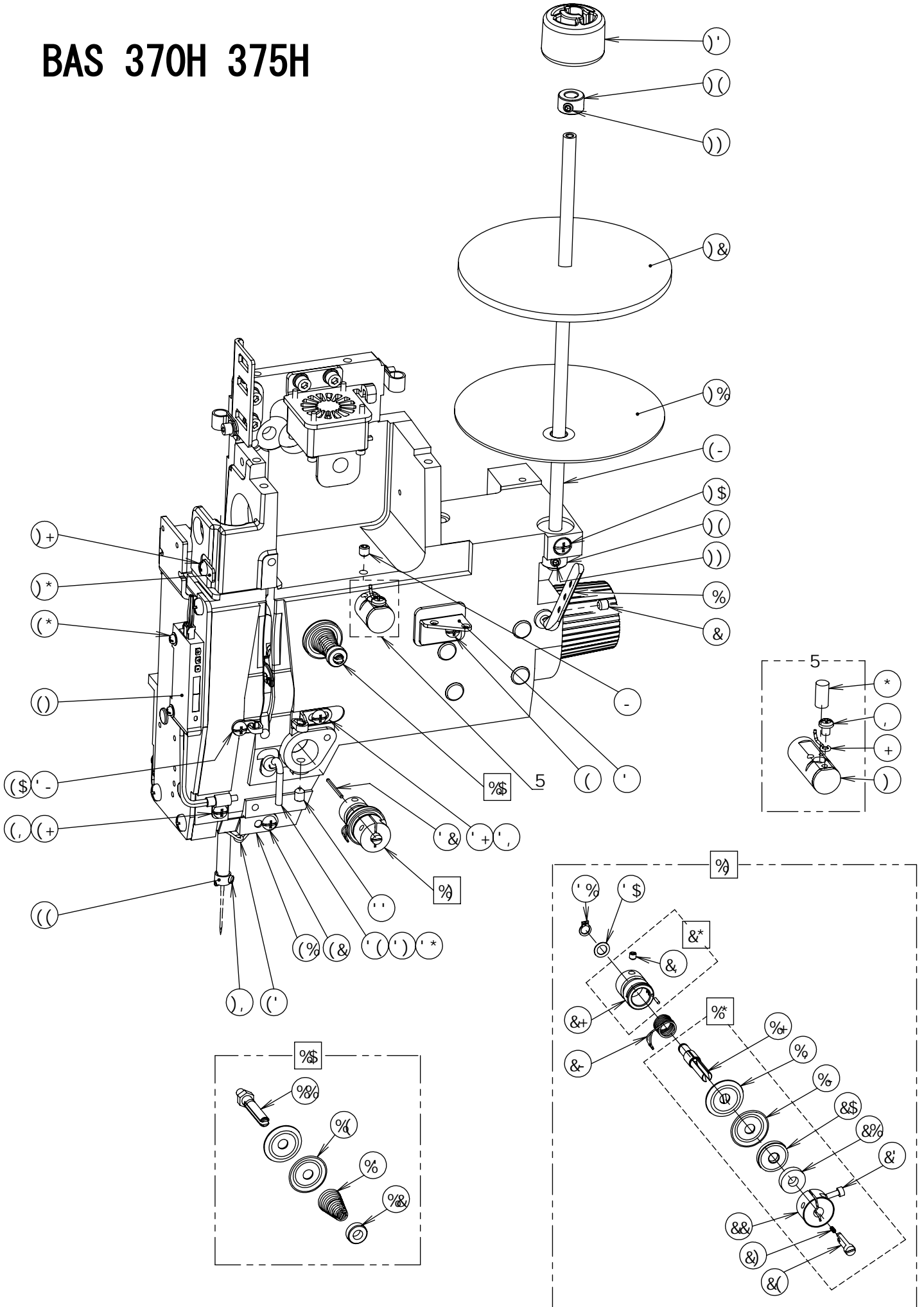


BAS 360H 365H



| Ref. No. | Code | Q'ty | 品名 | Part Name |
|----------|-----------|------|----------------|------------------------------|
| 1 | SA2636001 | 1 | ミツメイトカケ | THREAD RETAINER |
| 2 | 012060636 | 1 | アナヒラ6X6 | SET SCREW SOCKET (FT) M6X6 |
| 3 | SA3250001 | 1 | ア-ムイトミチA | ARM THREAD GUIDE,A |
| 4 | 062500616 | 1 | ナベコ5X6 | SCREW PAN M5X6 |
| 5 | 152881101 | 1 | エキレイタイクミ | NEEDLE COOLER ASSY |
| 6 | 152883000 | 1 | フェルト8X15.5 | FELT, 8X15.5 |
| 7 | 152884001 | 1 | エキレイイトカケ | NEEDLE COOLER THREAD GUIDE |
| 8 | 062670412 | 1 | ナベコ357-40X4 | SCREW PAN SM3.57-40X4 |
| 9 | 012060636 | 1 | アナヒラ6X6 | SET SCREW SOCKET (FT) M6X6 |
| 10 | SB6567001 | 1 | プレテンションクミB | PRE-TENSION ASSY B |
| 11 | SA3256001 | 1 | イトチヨウシボウA | TENSION STUD A |
| 12 | 100136001 | 1 | イトチヨウシナツト | TENSION NUT |
| 13 | SA4146101 | 1 | フクチヨウシバネ | SUB TENSION SPRING |
| 14 | 145446002 | 2 | イトチヨウシサラ | DISC TENSION |
| 15 | SB6468102 | 1 | DTイトチヨウシクミ | D TENSION ASSY |
| 16 | SB6469101 | 1 | DTイトチヨウシボウクミ | D TENSION STUD ASSY |
| 17 | SB6433001 | 1 | DTイトチヨウシボウ | D TENSION STUD |
| 18 | SA6190001 | 1 | DTイトチヨウシサラ | DISC DT |
| 19 | 145446002 | 1 | イトチヨウシサラ | DISC TENSION |
| 20 | SB1281001 | 1 | テーパサラオサエ | TAPER DISC PRESSER |
| 21 | SB1181101 | 1 | DTクッション | DT CUSHION |
| 22 | SB1088101 | 1 | セットカラ-DT | SET COLLAR DT |
| 23 | 018301036 | 1 | アナボルト3X10 | BOLT SOCKET M3X10 |
| 24 | SB1180201 | 1 | キリワリジク | SHAFT |
| 25 | SB1267001 | 1 | コイルバネ | COIL SPRING |
| 26 | SB1182101 | 1 | DTイトチヨウシダイクミ | TENSION BRACKET ASSY |
| 27 | SB1083101 | 1 | DTイトチヨウシダイ | DT TENSION BRACKET |
| 28 | 012400436 | 1 | アナヒラ4X4 | SET SCREW SOCKET (FT) M4X4 |
| 29 | SA6193301 | 1 | イトトリバネ | THREAD TAKE-UP SPRING |
| 30 | 109763022 | 1 | ザガネ | WASHER |
| 31 | 048060142 | 1 | トメワジクヨウC6 | RETAINING RING EXTERNAL C6 |
| 32 | SB6264001 | 1 | ピン1.8X25 | PIN 1.8X25 |
| 33 | SA4143001 | 1 | アナトメネジ6 | SET SCREW, (FT) M6X6 |
| 34 | SA8691001 | 1 | ア-ムイトカケ | THREAD GUIDE ARM |
| 35 | 021400306 | 1 | 3シュナツト4 | NUT 3 M4 |
| 36 | SA9207001 | 1 | ゴムカバー | RUBBER COVER |
| 37 | SA6391001 | 1 | ア-ムイトミチC | ARM THREAD GUIDE C |
| 38 | 062501016 | 1 | ナベコ5X10 | SCREW PAN M5X10 |
| 39 | SA4333001 | 1 | ア-ムイトミチB | ARM THREAD GUIDE,B |
| 40 | 062501016 | 1 | ナベコ5X10 | SCREW PAN M5X10 |
| 41 | 152869001 | 1 | ア-ムイトミチ | ARM THREAD GUIDE |
| 42 | 062500616 | 1 | ナベコ5X6 | SCREW PAN M5X6 |
| 43 | SA3258001 | 1 | ハリボウメタルDイトアンナイ | N-BAR BUSH THREAD GUIDE,D |
| 44 | SA3257101 | 1 | ハリボウイトアンナイA | NEEDLE BAR THREAD GUIDE,A |
| 45 | SB8174001 | 1 | ファイバアンプクミ | FIBER AMP ASSY |
| 46 | 0A5301605 | 2 | +ナベザクミ3X16DB | SCREW PAN (S/P WASHER) M3X16 |
| 47 | SA5194001 | 1 | センサトリツケイタ | SENSOR SETTING PLATE |
| 48 | 062501016 | 1 | ナベコ5X10 | SCREW PAN M5X10 |
| 49 | SB8035001 | 1 | アンプケーブルクミ | AMP CABLE ASSY |
| 50 | SB8031001 | 1 | イトコマジク | THREAD SPOOL SHAFT |
| 51 | 062061016 | 2 | ナベコ6X10 | SCREW PAN M6X10 |
| 52 | SB8030001 | 1 | イトコマダイ | THREAD SPOOL STAND BASE |
| 53 | 150182000 | 1 | スプールマット | SPOOL MAT |
| 54 | SB8032001 | 1 | イトコマオサエ | THREAD SPOOL PRESSER |
| 55 | SB8607001 | 2 | セットカラー | SET SCREW COLLAR |

BAS 370H 375H



| Ref. No. | Code | Q'ty | 品名 | Part Name |
|----------|-----------|------|----------------|------------------------------|
| 1 | SA2636001 | 1 | ミツメイトカケ | THREAD RETAINER |
| 2 | 012060636 | 1 | アナヒラ6X6 | SET SCREW SOCKET (FT) M6X6 |
| 3 | SA3250001 | 1 | ア-ムイトミチA | ARM THREAD GUIDE,A |
| 4 | 062500616 | 1 | ナベコ5X6 | SCREW PAN M5X6 |
| 5 | 152881101 | 1 | エキレイタイクミ | NEEDLE COOLER ASSY |
| 6 | 152883000 | 1 | フェルト8X15.5 | FELT, 8X15.5 |
| 7 | 152884001 | 1 | エキレイイトカケ | NEEDLE COOLER THREAD GUIDE |
| 8 | 062670412 | 1 | ナベコ357-40X4 | SCREW PAN SM3.57-40X4 |
| 9 | 012060636 | 1 | アナヒラ6X6 | SET SCREW SOCKET (FT) M6X6 |
| 10 | SB6567001 | 1 | プレテンションクミB | PRE-TENSION ASSY B |
| 11 | SA3256001 | 1 | イトチヨウシボウA | TENSION STUD A |
| 12 | 100136001 | 1 | イトチヨウシナツト | TENSION NUT |
| 13+ | Sp | 1 | フクチヨウシバネ | SUB TENSION SPRING |
| 14 | 145446002 | 2 | イトチヨウシサラ | DISC TENSION |
| 15 | SB6468102 | 1 | DTイトチヨウシクミ | D TENSION ASSY |
| 16 | SB6469101 | 1 | DTイトチヨウシボウクミ | D TENSION STUD ASSY |
| 17 | SB6433001 | 1 | DTイトチヨウシボウ | D TENSION STUD |
| 18 | SA6190001 | 1 | DTイトチヨウシサラ | DISC DT |
| 19 | 145446002 | 1 | イトチヨウシサラ | DISC TENSION |
| 20 | SB1281001 | 1 | テーパサラオサエ | TAPER DISC PRESSER |
| 21 | SB1181101 | 1 | DTクッション | DT CUSHION |
| 22 | SB1088101 | 1 | セットカラ-DT | SET COLLAR DT |
| 23 | 018301036 | 1 | アナボルト3X10 | BOLT SOCKET M3X10 |
| 24 | SB1180201 | 1 | キリワリジク | SHAFT |
| 25 | SB1267001 | 1 | コイルバネ | COIL SPRING |
| 26 | SB1182101 | 1 | DTイトチヨウシダイクミ | TENSION BRACKET ASSY |
| 27 | SB1083101 | 1 | DTイトチヨウシダイ | DT TENSION BRACKET |
| 28 | 012400436 | 1 | アナヒラ4X4 | SET SCREW SOCKET (FT) M4X4 |
| 29+ | Sp | 1 | イトトリバネ | THREAD TAKE-UP SPRING |
| 30 | 109763022 | 1 | ザガネ | WASHER |
| 31 | 048060142 | 1 | トメワジクヨウC6 | RETAINING RING EXTERNAL C6 |
| 32 | SB6264001 | 1 | ピン1.8X25 | PIN 1.8X25 |
| 33 | SA4143001 | 1 | アナトメネジ6 | SET SCREW, (FT) M6X6 |
| 34 | SA8691001 | 1 | ア-ムイトカケ | THREAD GUIDE ARM |
| 35 | 021400306 | 1 | 3シュナツト4 | NUT 3 M4 |
| 36 | SA9207001 | 1 | ゴムカバー | RUBBER COVER |
| 37 | SA6391001 | 1 | ア-ムイトミチC | ARM THREAD GUIDE C |
| 38 | 062500616 | 1 | ナベコ5X6 | SCREW PAN M5X6 |
| 39 | SA4333001 | 1 | ア-ムイトミチB | ARM THREAD GUIDE,B |
| 40 | 062500616 | 1 | ナベコ5X6 | SCREW PAN M5X6 |
| 41 | 152869001 | 1 | ア-ムイトミチ | ARM THREAD GUIDE |
| 42 | 062500616 | 1 | ナベコ5X6 | SCREW PAN M5X6 |
| 43 | SA3258001 | 1 | ハリボウメタルDイトアンナイ | N-BAR BUSH THREAD GUIDE,D |
| 44 | SA3257101 | 1 | ハリボウイトアンナイA | NEEDLE BAR THREAD GUIDE,A |
| 45 | SB8174001 | 1 | ファイバアンプクミ | FIBER AMP ASSY |
| 46 | 0A5301605 | 2 | +ナベザクミ3X16DB | SCREW PAN (S/P WASHER) M3X16 |
| 47 | SA5194001 | 1 | センサトリツケイタ | SENSOR SETTING PLATE |
| 48 | 062500616 | 1 | ナベコ5X6 | SCREW PAN M5X6 |
| 49 | SB8031001 | 1 | イトコマジク | THREAD SPOOL SHAFT |
| 50 | 062061016 | 2 | ナベコ6X10 | SCREW PAN M6X10 |
| 51 | SB8030001 | 1 | イトコマダイ | THREAD SPOOL STAND BASE |