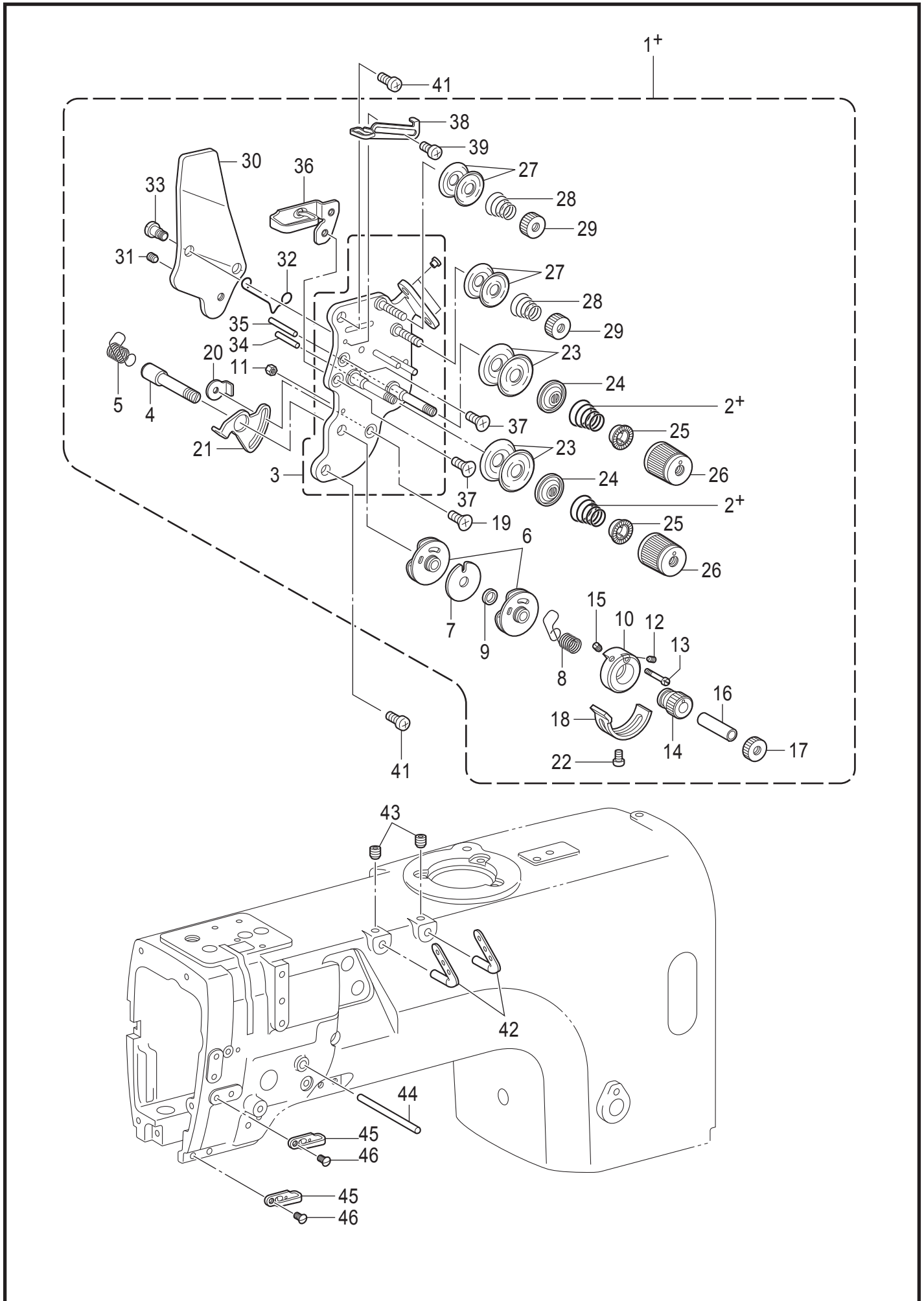


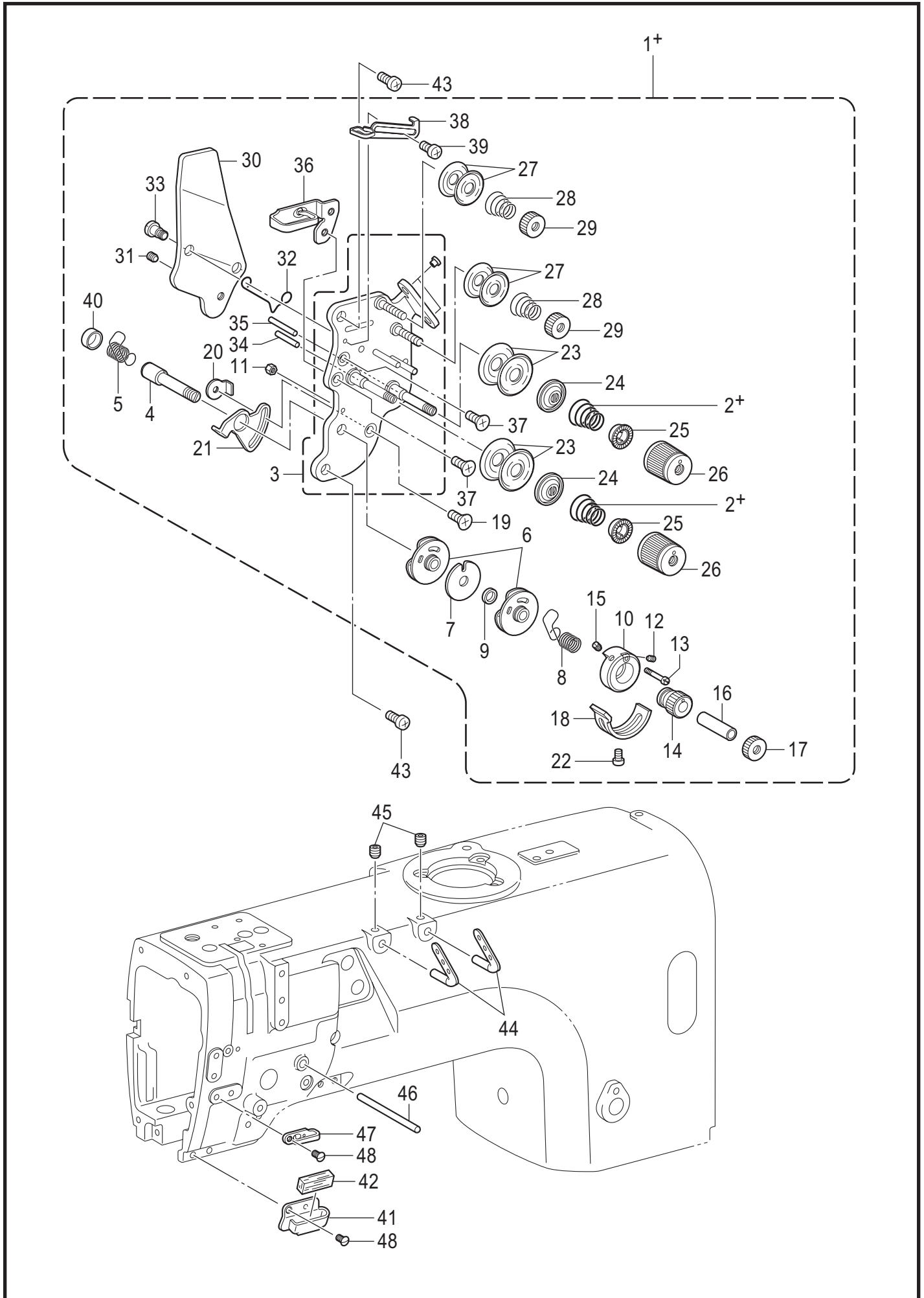
## N. 穿线装置 / Threading mechanism



## N. 穿线装置 / Threading mechanism

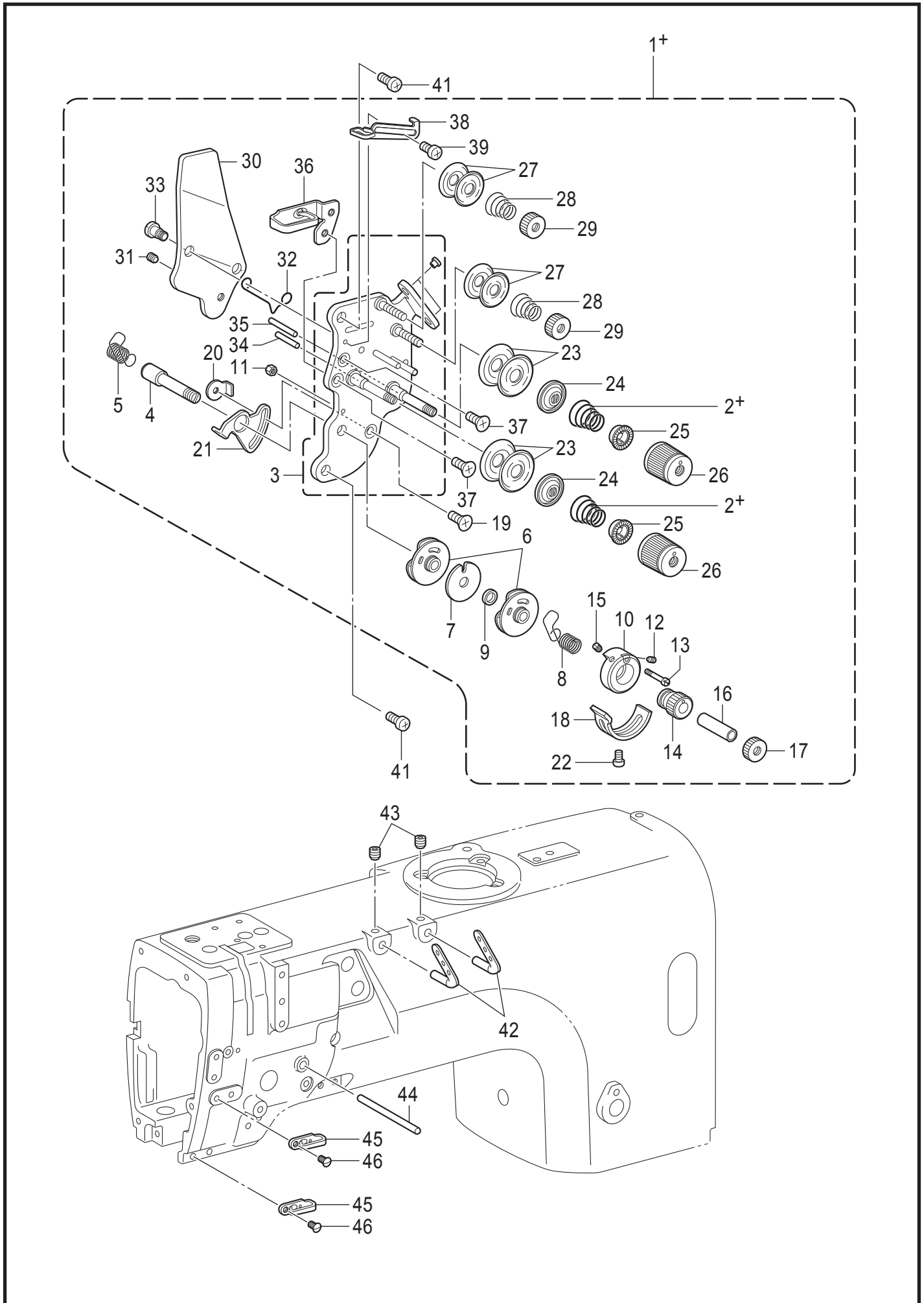
| 参照号 | 零部件序号     | 数量 | 零部件名称                 | NAME OF PARTS                              | RM |
|-----|-----------|----|-----------------------|--|----|
| 1+  | SA3417501 | 1  | <用于-403><br>面线调节组件 -3 | <For -403><br>UPPER THREAD TENSION ASSY -3 |    |
| 2+  | SA3415001 | 2  | 弹簧 L                  | TENSION SPRING, L                          |    |
| 1+  | SA2607501 | 1  | <用于-405><br>面线调节组件 -5 | <For -405><br>UPPER THREAD TENSION ASSY -5 |    |
| 2+  | SA3416101 | 2  | 弹簧 LL                 | TENSION SPRING LL                          |    |
| 3   | SA4212001 | 1  | 调整台组件                 | TENSION PLATE ASSY                         |    |
| 4   | SA2613101 | 1  | 调整短轴                  | TENSION STUD                               |    |
| 5   | SA2614201 | 1  | 弹簧 L                  | THREAD TAKE-UP SPRING L                    |    |
| 6   | SA2615001 | 2  | 导向组件                  | GUIDE ASSY, T/TAKE-UP SPRING               |    |
| 7   | SA2619001 | 1  | 垫片                    | SPACER                                     |    |
| 8   | SA2623201 | 1  | 弹簧 R                  | THREAD TAKE-UP SPRING R                    |    |
| 9   | SA2620001 | 1  | 轴套                    | COLLAR                                     |    |
| 10  | SA2621001 | 1  | 定位圈                   | STOPPER SUPPORT                            |    |
| 11  | 021300106 | 1  | 螺母 M3                 | NUT 1 M3                                   |    |
| 12  | SA2626001 | 1  | 螺钉 M3.5               | SET SCREW (CP) M3.5                        |    |
| 13  | SA2624001 | 1  | 固定螺栓                  | SPRING GUIDE SET SCREW                     |    |
| 14  | SA2625001 | 1  | 调节旋钮                  | ADJUSTING THUMB                            |    |
| 15  | SA2626001 | 1  | 螺钉 M3.5               | SET SCREW (CP) M3.5                        |    |
| 16  | SA2627001 | 1  | 轴套                    | COLLAR                                     |    |
| 17  | SA2628001 | 1  | 调线螺母                  | TENSION NUT                                |    |
| 18  | SA2629001 | 1  | 弹簧限位板                 | STOPPER                                    |    |
| 19  | 004350616 | 1  | 螺钉 M3.5X6             | SCREW FLAT M3.5X6                          |    |
| 20  | SA2824001 | 1  | 定位螺母 M3.5             | NUT, WHIRL-STOP M3.5                       |    |
| 21  | SA2630001 | 1  | 限位板                   | STOPPER                                    |    |
| 22  | 062350516 | 1  | 螺钉 M3.5X5             | SCREW PAN M3.5X5                           |    |
| 23  | 145446002 | 4  | 夹线盘                   | DISC TENSION                               |    |
| 24  | 159805001 | 2  | 夹线压盘                  | TENSION DISC PRESSER                       |    |
| 25  | S20681000 | 2  | 调节弹簧垫圈                | WASHER                                     |    |
| 26  | S20682111 | 2  | 夹线螺母                  | TENSION NUT                                |    |
| 27  | 144504001 | 4  | 导向盘                   | THREAD GUIDE DISC                          |    |
| 28  | 154560101 | 2  | 小夹线弹簧 A               | PRE-TENSION SPRING A                       |    |
| 29  | 155510001 | 2  | 夹线螺母                  | TENSION NUT                                |    |
| 30  | SA2632001 | 1  | 松线板                   | TENSION RELEASE PLATE                      |    |
| 31  | 012500536 | 1  | 螺钉 M5X5               | SET SCREW SOCKET (FT) M5X5                 |    |
| 32  | S38274001 | 1  | 松线弹簧                  | T-RELEASE SPRING                           |    |
| 33  | SA2633001 | 2  | 轴位螺钉 M3.5             | SHOULDER SCREW M3.5                        |    |
| 34  | SA4506001 | 1  | 松线销 L                 | TENSION RELEASE PIN, L                     |    |
| 35  | SA4507001 | 1  | 松线销 R                 | TENSION RELEASE PIN, R                     |    |
| 36  | SA2634001 | 1  | 线导向 U                 | THREAD GUIDE, U: ARM                       |    |
| 37  | 004350616 | 2  | 螺钉 M3.5X6             | SCREW FLAT M3.5X6                          |    |
| 38  | SA2635001 | 1  | 线调整                   | THREAD QUANTITY ADJUST                     |    |
| 39  | 062300616 | 1  | 螺钉 M3X6               | SCREW PAN M3X6                             |    |
| 41  | 062500816 | 2  | 螺钉 M5X8               | SCREW PAN M5X8                             |    |
| 42  | SA2636001 | 2  | 三眼线勾                  | THREAD RETAINER                            |    |
| 43  | 012060636 | 2  | 螺钉 M6X6               | SET SCREW SOCKET (FT) M6X6                 |    |
| 44  | SA2637001 | 1  | 松线轴                   | BAR, TENSION RELEASE                       |    |
| 45  | SA2638001 | 2  | 线导向 M                 | THREAD GUIDE, M: ARM                       |    |
| 46  | SA2640001 | 2  | 螺钉 M5X8               | SCREW FLAT M5X8                            |    |

## M. 糸通し関係 / Threading mechanism



## M. 糸通し関係 / Threading mechanism

| REF.NO | CODE      | Q'TY | 品名            | NAME OF PARTS                | RM |
|--------|-----------|------|---------------|------------------------------|----|
|        |           |      | <-003用>       | <For -003>                   |    |
| 1+     | SA3417401 | 1    | ウワイトチヨウシクミ-3  | UPPER THREAD TENSION ASSY -3 |    |
| 2+     | SA3415001 | 2    | イトチヨウシバネL     | TENSION SPRING, L            |    |
|        |           |      | <-005用>       | <For -005>                   |    |
| 1+     | SA2607401 | 1    | ウワイトチヨウシクミ-5  | UPPER THREAD TENSION ASSY -5 |    |
| 2+     | SA3416101 | 2    | イトチヨウシバネLL    | TENSION SPRING LL            |    |
| 3      | SA4212001 | 1    | イトチヨウシダイクミ    | TENSION PLATE ASSY           |    |
| 4      | SA2613001 | 1    | チヨウシジク        | TENSION STUD                 |    |
| 5      | SA2614201 | 1    | イトトリバネL       | THREAD TAKE-UP SPRING L      |    |
| 6      | SA2615001 | 2    | イトトリバネアンナイクミ  | GUIDE ASSY, T/TAKE-UP SPRING |    |
| 7      | SA2619001 | 1    | スペーサー         | SPACER                       |    |
| 8      | SA2623201 | 1    | イトトリバネR       | THREAD TAKE-UP SPRING R      |    |
| 9      | SA2620001 | 1    | カラ-           | COLLAR                       |    |
| 10     | SA2621001 | 1    | ストツパウケ        | STOPPER SUPPORT              |    |
| 11     | 021300106 | 1    | 1シュナット3       | NUT 1 M3                     |    |
| 12     | SA2626001 | 1    | トメネジ3.5       | SET SCREW, (CP) M3.5         |    |
| 13     | SA2624001 | 1    | バネアンナイトメネジ    | SPRING GUIDE SET SCREW       |    |
| 14     | SA2625001 | 1    | チヨウセツツマミ      | ADJUSTING THUMB              |    |
| 15     | SA2626001 | 1    | トメネジ3.5       | SET SCREW, (CP) M3.5         |    |
| 16     | SA2627001 | 1    | カラ-           | COLLAR                       |    |
| 17     | SA2628001 | 1    | イトチヨウシナット     | TENSION NUT                  |    |
| 18     | SA2629001 | 1    | イトトリバネストツパ    | STOPPER                      |    |
| 19     | 004350616 | 1    | +サラコ3.5X6     | SCREW FLAT M3.5X6            |    |
| 20     | SA2824001 | 1    | マワリドメナツトM3.5  | NUT, WHIRL-STOP M3.5         |    |
| 21     | SA2630001 | 1    | イトトリバネストツパ    | STOPPER                      |    |
| 22     | 062350516 | 1    | ナベコ35X5       | SCREW PAN M3.5X5             |    |
| 23     | 145446001 | 4    | イトチヨウシサラ      | DISC, TENSION                |    |
| 24     | 159805001 | 2    | イトチヨウシサラオサエ   | TENSION DISC PRESSER         |    |
| 25     | S20681000 | 2    | チヨウシバネウエザガネ   | WASHER                       |    |
| 26     | S20682111 | 2    | イトチヨウシナット     | TENSION NUT                  |    |
| 27     | 144504001 | 4    | イトアンナイサラ      | THREAD GUIDE DISC            |    |
| 28     | 154560101 | 2    | プレテンションバネA    | PRE-TENSION SPRING A         |    |
| 29     | 155510001 | 2    | イトチヨウシナット     | TENSION NUT                  |    |
| 30     | SA2632001 | 1    | イトユルメイタ       | TENSION RELEASE PLATE        |    |
| 31     | 012500536 | 1    | アナヒラ5X5       | SET SCREW SOCKET (FT) M5X5   |    |
| 32     | S38274001 | 1    | イトユルメバネ       | T-RELEASE SPRING             |    |
| 33     | SA2633001 | 2    | ダンネジ3.5       | SHOULDER SCREW, M3.5         |    |
| 34     | SA4506001 | 1    | イトユルメピンL      | TENSION RELEASE PIN, L       |    |
| 35     | SA4507001 | 1    | イトユルメピンR      | TENSION RELEASE PIN, R       |    |
| 36     | SA2634001 | 1    | ア-ムイトアンナイU    | THREAD GUIDE, U :ARM         |    |
| 37     | 004350616 | 2    | +サラコ3.5X6     | SCREW FLAT M3.5X6            |    |
| 38     | SA2635001 | 1    | イトリヨウチヨウセイ    | THREAD QUANTITY ADJUST       |    |
| 39     | 062300616 | 1    | ナベコ3X6        | SCREW PAN M3X6               |    |
| 40     | SA6378001 | 1    | キャツブ          | CAP                          |    |
| 41     | SA2639001 | 1    | ア-ムイトアンナイD    | THREAD GUIDE, D :ARM         |    |
| 42     | 114941001 | 1    | ア-ムイトアンナイフェルト | FELT                         |    |
| 43     | 062500816 | 2    | ナベコ5X8        | SCREW PAN M5X8               |    |
| 44     | SA2636001 | 2    | ミツメイトカケ       | THREAD RETAINER              |    |
| 45     | 012060636 | 2    | アナヒラ6X6       | SET SCREW SOCKET (FT) M6X6   |    |
| 46     | SA2637001 | 1    | イトユルメジク       | BAR, TENSION RELEASE         |    |
| 47     | SA2638001 | 1    | ア-ムイトアンナイM    | THREAD GUIDE, M :ARM         |    |
| 48     | SA2640001 | 2    | サラネジ5X8       | SCREW FLAT M5X8              |    |



| REF.NO | CODE      | Q'TY | 品名            | NAME OF PARTS                | RM |
|--------|-----------|------|---------------|------------------------------|----|
|        |           |      | <-403用>       | <For -403>                   |    |
| 1+     | SA3417501 | 1    | ウワイトチヨウシクミ-3  | UPPER THREAD TENSION ASSY -3 |    |
| 2+     | SA3415001 | 2    | イトチヨウシバネL     | TENSION SPRING, L            |    |
|        |           |      | <-405, -407用> | <For -405, -407>             |    |
| 1+     | SA2607501 | 1    | ウワイトチヨウシクミ-5  | UPPER THREAD TENSION ASSY -5 |    |
| 2+     | SA3416101 | 2    | イトチヨウシバネLL    | TENSION SPRING LL            |    |
| 3      | SA4212001 | 1    | イトチヨウシダイクミ    | TENSION PLATE ASSY           |    |
| 4      | SA2613101 | 1    | チヨウシジク        | TENSION STUD                 |    |
| 5      | SA2614201 | 1    | イトトリバネL       | THREAD TAKE-UP SPRING L      |    |
| 6      | SA2615001 | 2    | イトトリバネアンナイクミ  | GUIDE ASSY, T/TAKE-UP SPRING |    |
| 7      | SA2619001 | 1    | スペーサー         | SPACER                       |    |
| 8      | SA2623201 | 1    | イトトリバネR       | THREAD TAKE-UP SPRING R      |    |
| 9      | SA2620001 | 1    | カラ-           | COLLAR                       |    |
| 10     | SA2621001 | 1    | ストツパウケ        | STOPPER SUPPORT              |    |
| 11     | 021300106 | 1    | 1シュナット3       | NUT 1 M3                     |    |
| 12     | SA2626001 | 1    | トメネジ3.5       | SET SCREW (CP) M3.5          |    |
| 13     | SA2624001 | 1    | バネアンナイトメネジ    | SPRING GUIDE SET SCREW       |    |
| 14     | SA2625001 | 1    | チヨウセツツマミ      | ADJUSTING THUMB              |    |
| 15     | SA2626001 | 1    | トメネジ3.5       | SET SCREW (CP) M3.5          |    |
| 16     | SA2627001 | 1    | カラ-           | COLLAR                       |    |
| 17     | SA2628001 | 1    | イトチヨウシナット     | TENSION NUT                  |    |
| 18     | SA2629001 | 1    | イトトリバネストツパ    | STOPPER                      |    |
| 19     | 004350616 | 1    | +サラコ3.5X6     | SCREW FLAT M3.5X6            |    |
| 20     | SA2824001 | 1    | マワリドメナットM3.5  | NUT, WHIRL-STOP M3.5         |    |
| 21     | SA2630001 | 1    | イトトリバネストツパ    | STOPPER                      |    |
| 22     | 062350516 | 1    | ナベコ35X5       | SCREW PAN M3.5X5             |    |
| 23     | 145446002 | 4    | イトチヨウシサラ      | DISC TENSION                 |    |
| 24     | 159805001 | 2    | イトチヨウシサラオサエ   | TENSION DISC PRESSER         |    |
| 25     | S20681000 | 2    | チヨウシバネウエザガネ   | WASHER                       |    |
| 26     | S20682111 | 2    | イトチヨウシナット     | TENSION NUT                  |    |
| 27     | 144504001 | 4    | イトアンナイサラ      | THREAD GUIDE DISC            |    |
| 28     | 154560101 | 2    | プレテンションバネA    | PRE-TENSION SPRING A         |    |
| 29     | 155510001 | 2    | イトチヨウシナット     | TENSION NUT                  |    |
| 30     | SA2632001 | 1    | イトユルメイタ       | TENSION RELEASE PLATE        |    |
| 31     | 012500536 | 1    | アナヒラ5X5       | SET SCREW SOCKET (FT) M5X5   |    |
| 32     | S38274001 | 1    | イトユルメバネ       | T-RELEASE SPRING             |    |
| 33     | SA2633001 | 2    | ダンネジ3.5       | SHOULDER SCREW M3.5          |    |
| 34     | SA4506001 | 1    | イトユルメピンL      | TENSION RELEASE PIN, L       |    |
| 35     | SA4507001 | 1    | イトユルメピンR      | TENSION RELEASE PIN, R       |    |
| 36     | SA2634001 | 1    | ア-ムイトアンナイU    | THREAD GUIDE, U: ARM         |    |
| 37     | 004350616 | 2    | +サラコ3.5X6     | SCREW FLAT M3.5X6            |    |
| 38     | SA2635001 | 1    | イトリヨウチヨウセイ    | THREAD QUANTITY ADJUST       |    |
| 39     | 062300616 | 1    | ナベコ3X6        | SCREW PAN M3X6               |    |
| 41     | 062500816 | 2    | ナベコ5X8        | SCREW PAN M5X8               |    |
| 42     | SA2636001 | 2    | ミツメイトカケ       | THREAD RETAINER              |    |
| 43     | 012060636 | 2    | アナヒラ6X6       | SET SCREW SOCKET (FT) M6X6   |    |
| 44     | SA2637001 | 1    | イトユルメジク       | BAR, TENSION RELEASE         |    |
| 45     | SA2638001 | 2    | ア-ムイトアンナイM    | THREAD GUIDE, M: ARM         |    |
| 46     | SA2640001 | 2    | サラネジ5X8       | SCREW FLAT M5X8              |    |

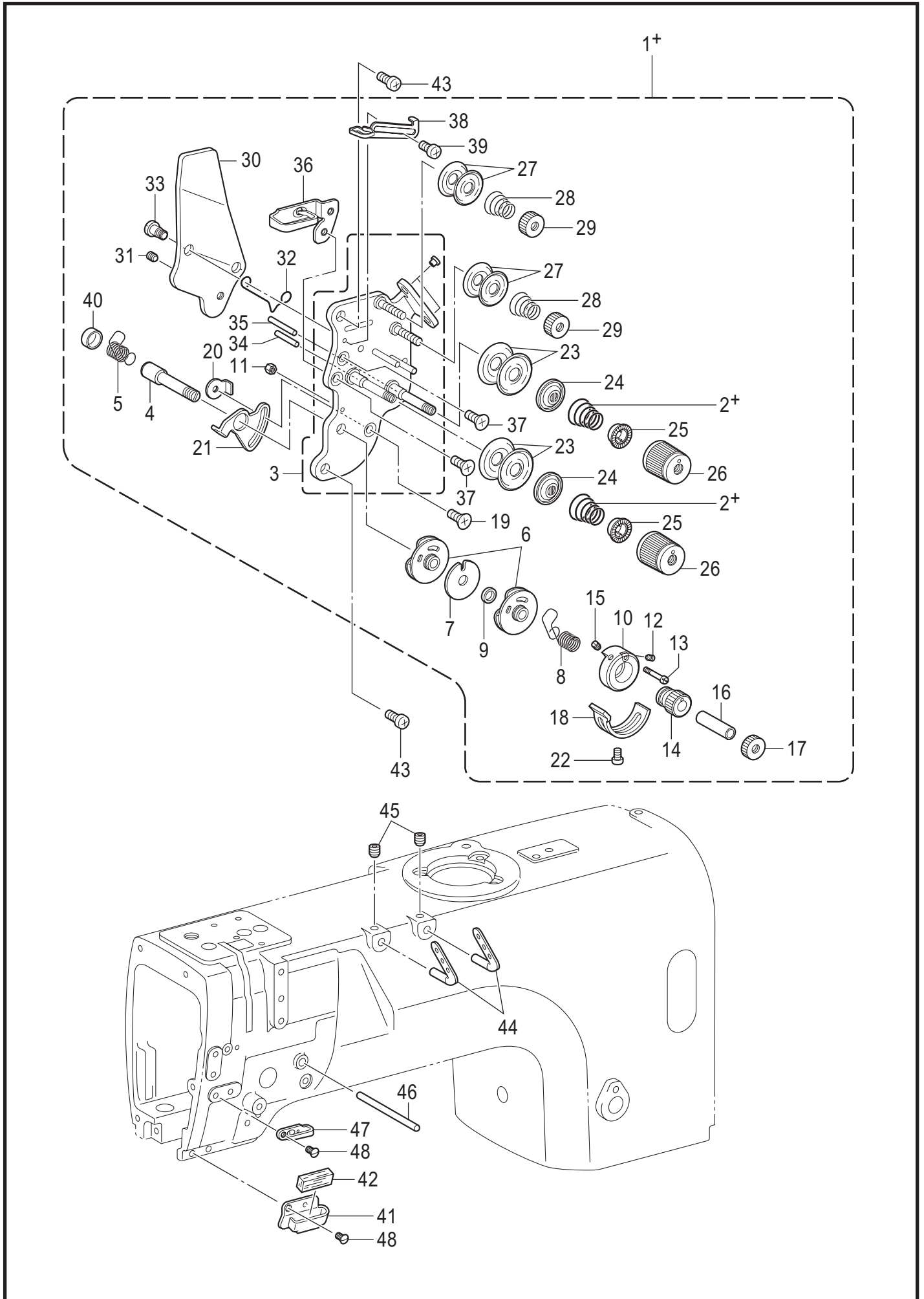




## M. 糸通し関係 / Threading mechanism

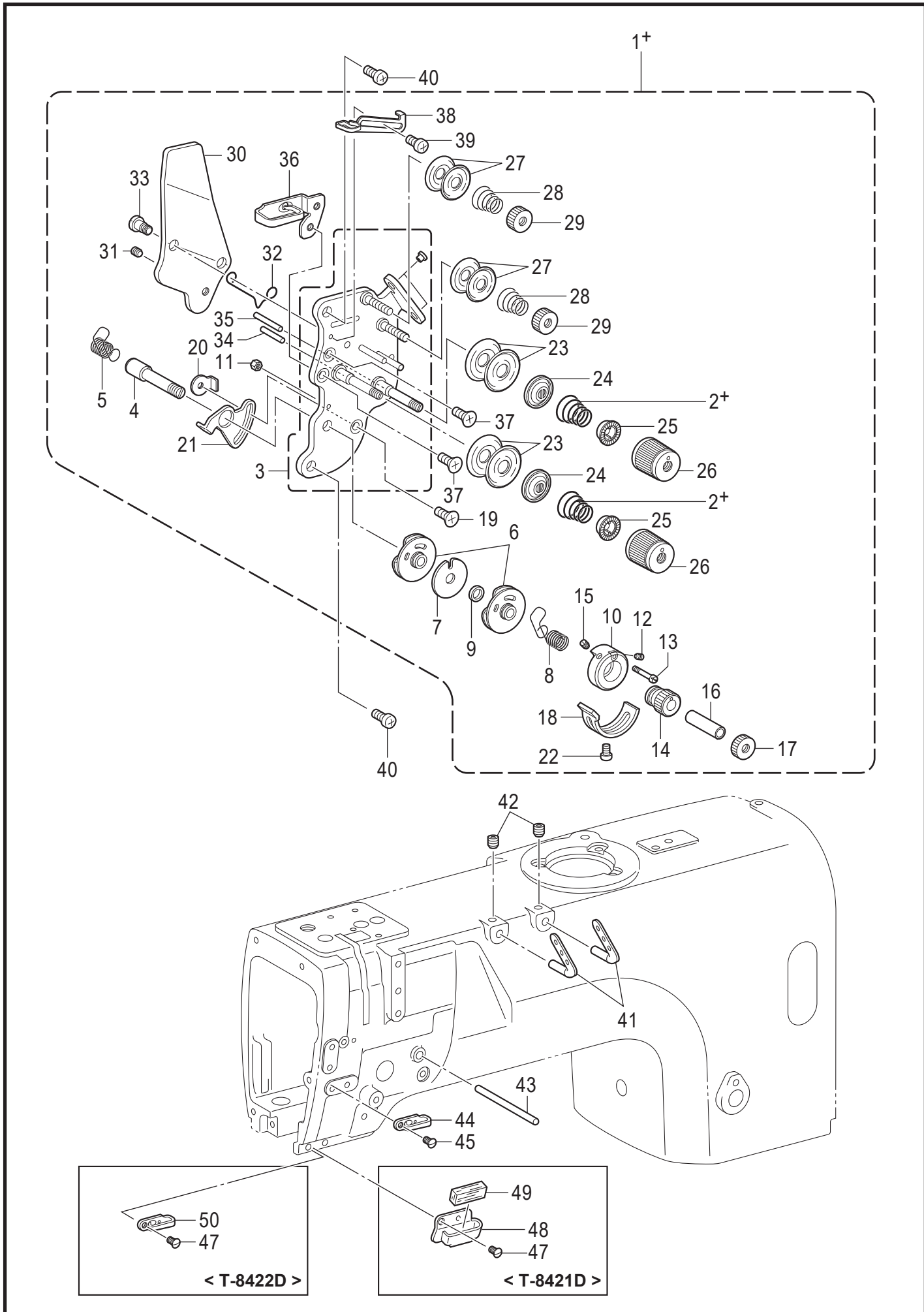
| REF.NO | CODE      | Q'TY | 品名           | NAME OF PARTS                | RM |
|--------|-----------|------|--------------|------------------------------|----|
| 1      | SA2607501 | 1    | ウワイトチヨウシクミ-5 | UPPER THREAD TENSION ASSY -5 |    |
| 2      | SA3416101 | 2    | イトチヨウシバネLL   | TENSION SPRING LL            |    |
| 3      | SA4212001 | 1    | イトチヨウシダイクミ   | TENSION PLATE ASSY           |    |
| 4      | SA2613101 | 1    | チヨウシジク       | TENSION STUD                 |    |
| 5      | SA2614201 | 1    | イトトリバネL      | THREAD TAKE-UP SPRING L      |    |
| 6      | SA2615001 | 2    | イトトリバネアンナイクミ | GUIDE ASSY, T/TAKE-UP SPRING |    |
| 7      | SA2619001 | 1    | スペーサー        | SPACER                       |    |
| 8      | SA2623201 | 1    | イトトリバネR      | THREAD TAKE-UP SPRING R      |    |
| 9      | SA2620001 | 1    | カラ-          | COLLAR                       |    |
| 10     | SA2621001 | 1    | ストツパウケ       | STOPPER SUPPORT              |    |
| 11     | 021300106 | 1    | 1シュナツ3       | NUT 1 M3                     |    |
| 12     | SA2626001 | 1    | トメネジ3.5      | SET SCREW (CP) M3.5          |    |
| 13     | SA2624001 | 1    | バネアンナイトメネジ   | SPRING GUIDE SET SCREW       |    |
| 14     | SA2625001 | 1    | チヨウセツツマミ     | ADJUSTING THUMB              |    |
| 15     | SA2626001 | 1    | トメネジ3.5      | SET SCREW (CP) M3.5          |    |
| 16     | SA2627001 | 1    | カラ-          | COLLAR                       |    |
| 17     | SA2628001 | 1    | イトチヨウシナツト    | TENSION NUT                  |    |
| 18     | SA2629001 | 1    | イトトリバネストツパ   | STOPPER                      |    |
| 19     | 004350616 | 1    | +サラコ3.5X6    | SCREW FLAT M3.5X6            |    |
| 20     | SA2824001 | 1    | マワリドメナツトM3.5 | NUT, WHIRL-STOP M3.5         |    |
| 21     | SA2630001 | 1    | イトトリバネストツパ   | STOPPER                      |    |
| 22     | 062350516 | 1    | ナベコ35X5      | SCREW PAN M3.5X5             |    |
| 23     | 145446002 | 4    | イトチヨウシサラ     | DISC TENSION                 |    |
| 24     | 159805001 | 2    | イトチヨウシサラオサエ  | TENSION DISC PRESSER         |    |
| 25     | S20681000 | 2    | チヨウシバネウエザガネ  | WASHER                       |    |
| 26     | S20682111 | 2    | イトチヨウシナツト    | TENSION NUT                  |    |
| 27     | 144504001 | 4    | イトアンナイサラ     | THREAD GUIDE DISC            |    |
| 28     | 154560101 | 2    | プレテンションバネA   | PRE-TENSION SPRING A         |    |
| 29     | 155510001 | 2    | イトチヨウシナツト    | TENSION NUT                  |    |
| 30     | SA2632001 | 1    | イトユルメイタ      | TENSION RELEASE PLATE        |    |
| 31     | 012500536 | 1    | アナヒラ5X5      | SET SCREW SOCKET (FT) M5X5   |    |
| 32     | S38274001 | 1    | イトユルメバネ      | T-RELEASE SPRING             |    |
| 33     | SA2633001 | 2    | ダンネジ3.5      | SHOULDER SCREW M3.5          |    |
| 34     | SA4506001 | 1    | イトユルメピンL     | TENSION RELEASE PIN, L       |    |
| 35     | SA4507001 | 1    | イトユルメピンR     | TENSION RELEASE PIN, R       |    |
| 36     | SA2634001 | 1    | ア-ムイトアンナイU   | THREAD GUIDE, U :ARM         |    |
| 37     | 004350616 | 2    | +サラコ3.5X6    | SCREW FLAT M3.5X6            |    |
| 38     | SA2635001 | 1    | イトリヨウチヨウセイ   | THREAD QUANTITY ADJUST       |    |
| 39     | 062300616 | 1    | ナベコ3X6       | SCREW PAN M3X6               |    |
| 41     | SA2638001 | 2    | ア-ムイトアンナイM   | THREAD GUIDE, M :ARM         |    |
| 42     | SA2640001 | 2    | サラネジ5X8      | SCREW FLAT M5X8              |    |
| 43     | 062500816 | 2    | ナベコ5X8       | SCREW PAN M5X8               |    |
| 44     | SA2636001 | 2    | ミツメイトカケ      | THREAD RETAINER              |    |
| 45     | 012060636 | 2    | アナヒラ6X6      | SET SCREW SOCKET (FT) M6X6   |    |
| 46     | SA2637001 | 1    | イトユルメジク      | BAR, TENSION RELEASE         |    |



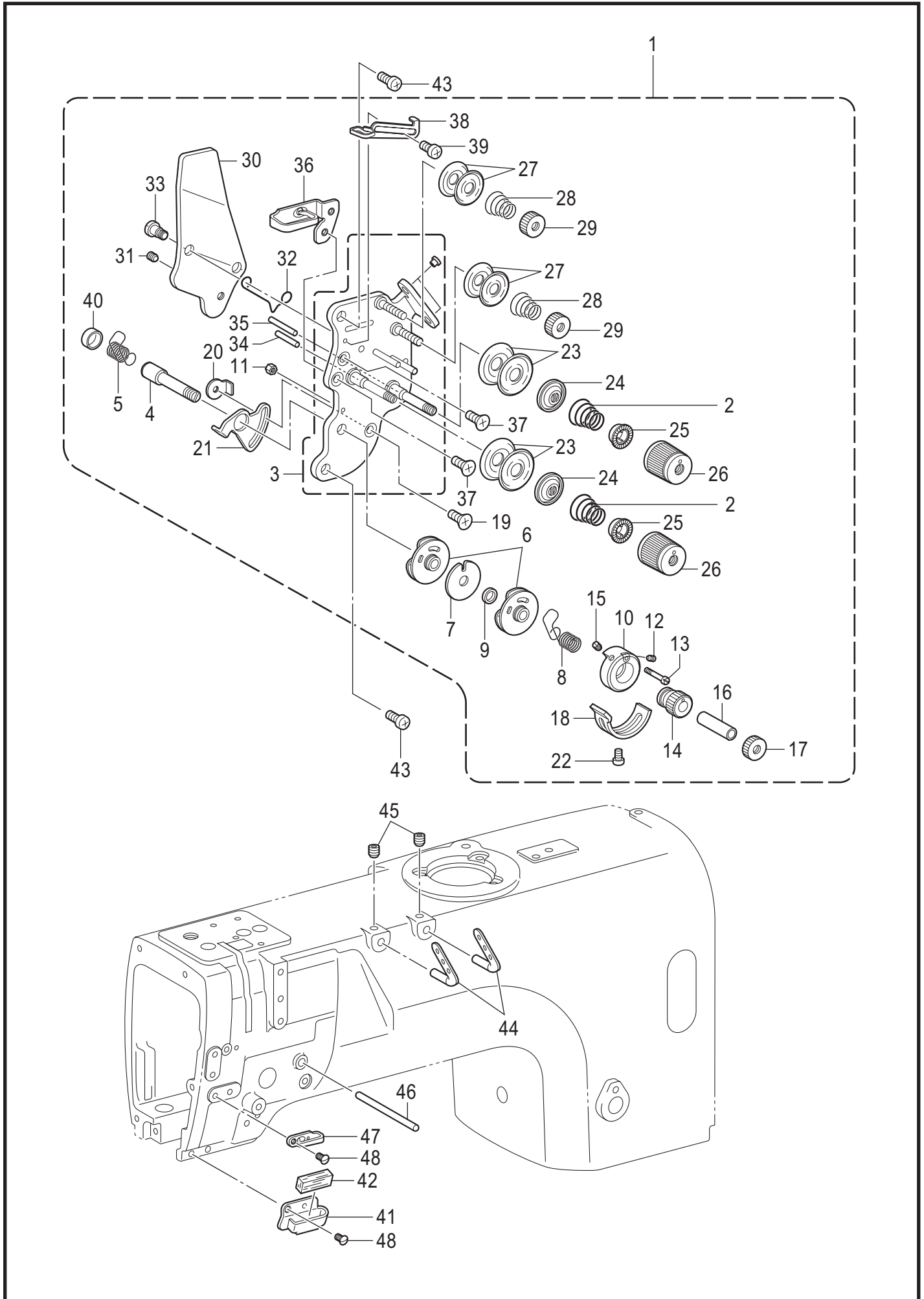


## L. 糸通し関係 / Threading mechanism

| REF.NO | CODE      | Q'TY | 品名                      | NAME OF PARTS                               | RM |
|--------|-----------|------|-------------------------|---|----|
| 1+     | SA3417401 | 1    | <-0□3用><br>ウワイトチヨウシクミ-3 | <For -0□3><br>UPPER THREAD TENSION ASSY, -3 |    |
| 2+     | SA3415001 | 2    | イトチヨウシバナL               | TENSION SPRING, L                           |    |
| 1+     | SA2607401 | 1    | <-005用><br>ウワイトチヨウシクミ-5 | <For -005><br>UPPER THREAD TENSION ASSY, -5 |    |
| 2+     | SA3416101 | 2    | イトチヨウシバナLL              | TENSION SPRING LL                           |    |
| 1+     | SA2818401 | 1    | <-03F用><br>ウワイトチヨウシクミ-1 | <For -03F><br>UPPER THREAD TENSION ASSY, -1 |    |
| 2+     | SA3414101 | 2    | イトチヨウシバナM               | TENSION SPRING M                            |    |
| 3      | SA4212001 | 1    | イトチヨウシダイクミ              | TENSION PLATE ASSY                          |    |
| 4      | SA2613001 | 1    | チヨウシジク                  | TENSION STUD                                |    |
| 5      | SA2614201 | 1    | イトトリバナL                 | THREAD TAKE-UP SPRING, L                    |    |
| 6      | SA2615001 | 2    | イトトリバナアンナイクミ            | GUIDE ASSY, T/TAKE-UP SPRING                |    |
| 7      | SA2619001 | 1    | スペーサー                   | SPACER                                      |    |
| 8      | SA2623201 | 1    | イトトリバナR                 | THREAD TAKE-UP SPRING, R                    |    |
| 9      | SA2620001 | 1    | カラ-                     | COLLAR                                      |    |
| 10     | SA2621001 | 1    | ストツパウケ                  | STOPPER SUPPORT                             |    |
| 11     | 021300106 | 1    | 1シュナツ3                  | NUT 1 M3                                    |    |
| 12     | SA2626001 | 1    | トメネジ3.5                 | SET SCREW, (CP) M3.5                        |    |
| 13     | SA2624001 | 1    | バネアンナイトメネジ              | SPRING GUIDE SET SCREW                      |    |
| 14     | SA2625001 | 1    | チヨウセツツマミ                | ADJUSTING THUMB                             |    |
| 15     | SA2626001 | 1    | トメネジ3.5                 | SET SCREW, (CP) M3.5                        |    |
| 16     | SA2627001 | 1    | カラ-                     | COLLAR                                      |    |
| 17     | SA2628001 | 1    | イトチヨウシナツト               | TENSION NUT                                 |    |
| 18     | SA2629001 | 1    | イトトリバナストツパ              | STOPPER                                     |    |
| 19     | 004350616 | 1    | +サラコ3.5X6               | SCREW FLAT M3.5X6                           |    |
| 20     | SA2824001 | 1    | マワリドメナツトM3.5            | NUT, WHIRL-STOP M3.5                        |    |
| 21     | SA2630001 | 1    | イトトリバナストツパ              | STOPPER                                     |    |
| 22     | 062350516 | 1    | ナベコ35X5                 | SCREW PAN M3.5X5                            |    |
| 23     | 145446001 | 4    | イトチヨウシサラ                | DISC, TENSION                               |    |
| 24     | 159805001 | 2    | イトチヨウシサラオサエ             | TENSION DISC PRESSER                        |    |
| 25     | S20681000 | 2    | チヨウシバナウエザガネ             | WASHER                                      |    |
| 26     | S20682111 | 2    | イトチヨウシナツト               | TENSION NUT                                 |    |
| 27     | 144504001 | 4    | イトアンナイサラ                | THREAD GUIDE DISC                           |    |
| 28     | 154560101 | 2    | プレテンションバネA              | PRE-TENSION SPRING A                        |    |
| 29     | 155510001 | 2    | イトチヨウシナツト               | TENSION NUT                                 |    |
| 30     | SA2632001 | 1    | イトユルメイタ                 | TENSION RELEASE PLATE                       |    |
| 31     | 012500536 | 1    | アナヒラ5X5                 | SET SCREW SOCKET (FT) M5X5                  |    |
| 32     | S38274001 | 1    | イトユルメバネ                 | T-RELEASE SPRING                            |    |
| 33     | SA2633001 | 2    | ダンネジ3.5                 | SHOULDER SCREW, M3.5                        |    |
| 34     | SA4506001 | 1    | イトユルメピンL                | TENSION RELEASE PIN, L                      |    |
| 35     | SA4507001 | 1    | イトユルメピンR                | TENSION RELEASE PIN, R                      |    |
| 36     | SA2634001 | 1    | ア-ムイトアンナイU              | THREAD GUIDE, U: ARM                        |    |
| 37     | 004350616 | 2    | +サラコ3.5X6               | SCREW FLAT M3.5X6                           |    |
| 38     | SA2635001 | 1    | イトリヨウチヨウセイ              | THREAD QUANTITY ADJUST                      |    |
| 39     | 062300616 | 1    | ナベコ3X6                  | SCREW PAN M3X6                              |    |
| 40     | SA6378001 | 1    | キャツブ                    | CAP   |    |
| 41     | SA2639001 | 1    | ア-ムイトアンナイD              | THREAD GUIDE, D: ARM                        |    |
| 42     | 114941001 | 1    | ア-ムイトアンナイフェルト           | FELT  |    |
| 43     | 062500816 | 2    | ナベコ5X8                  | SCREW PAN M5X8                              |    |
| 44     | SA2636001 | 2    | ミツメイトカケ                 | THREAD RETAINER                             |    |
| 45     | 012060636 | 2    | アナヒラ6X6                 | SET SCREW SOCKET (FT) M6X6                  |    |
| 46     | SA2637001 | 1    | イトユルメジク                 | BAR, TENSION RELEASE                        |    |
| 47     | SA2638001 | 1    | ア-ムイトアンナイM              | THREAD GUIDE, M: ARM                        |    |
| 48     | SA2640001 | 2    | サラネジ5X8                 | SCREW FLAT M5X8                             |    |



| REF.NO | CODE      | Q'TY | 品名                           | NAME OF PARTS                                   | RM |
|--------|-----------|------|------------------------------|---|----|
| 1+     | SA3417501 | 1    | <-□03用><br>ウワイトチヨウシクミ-3      | <For -□03><br>UPPER THREAD TENSION ASSY -3      |    |
| 2+     | SA3415001 | 2    | イトチヨウシバネL                    | TENSION SPRING, L                               |    |
| 1+     | SA2607501 | 1    | <-□05,-S07用><br>ウワイトチヨウシクミ-5 | <For -□05,-S07><br>UPPER THREAD TENSION ASSY -5 |    |
| 2+     | SA3416101 | 2    | イトチヨウシバネLL                   | TENSION SPRING LL                               |    |
| 1+     | SA2818501 | 1    | <-T□F用><br>ウワイトチヨウシクミ-1      | <For -T□F><br>UPPER THREAD TENSION ASSY -1      |    |
| 2+     | SA3414101 | 2    | イトチヨウシバネM                    | TENSION SPRING M                                |    |
| 3      | SA4212001 | 1    | イトチヨウシダイクミ                   | TENSION PLATE ASSY                              |    |
| 4      | SA2613101 | 1    | チヨウシジク                       | TENSION STUD                                    |    |
| 5      | SA2614201 | 1    | イトトリバネL                      | THREAD TAKE-UP SPRING L                         |    |
| 6      | SA2615001 | 2    | イトトリバネアンナイクミ                 | GUIDE ASSY, T/TAKE-UP SPRING                    |    |
| 7      | SA2619001 | 1    | スペーサー                        | SPACER  |    |
| 8      | SA2623201 | 1    | イトトリバネR                      | THREAD TAKE-UP SPRING R                         |    |
| 9      | SA2620001 | 1    | カラ-                          | COLLAR  |    |
| 10     | SA2621001 | 1    | ストツパウケ                       | STOPPER SUPPORT                                 |    |
| 11     | 021300106 | 1    | 1シュナット3                      | NUT 1 M3  |    |
| 12     | SA2626001 | 1    | トメネジ3.5                      | SET SCREW (CP) M3.5                             |    |
| 13     | SA2624001 | 1    | バネアンナイトメネジ                   | SPRING GUIDE SET SCREW                          |    |
| 14     | SA2625001 | 1    | チヨウセツツマミ                     | ADJUSTING THUMB                                 |    |
| 15     | SA2626001 | 1    | トメネジ3.5                      | SET SCREW (CP) M3.5                             |    |
| 16     | SA2627001 | 1    | カラ-                          | COLLAR  |    |
| 17     | SA2628001 | 1    | イトチヨウシナット                    | TENSION NUT                                     |    |
| 18     | SA2629001 | 1    | イトトリバネストツパ                   | STOPPER   |    |
| 19     | 004350616 | 1    | +サラコ3.5X6                    | SCREW FLAT M3.5X6                               |    |
| 20     | SA2824001 | 1    | マワリドメナットM3.5                 | NUT, WHIRL-STOP M3.5                            |    |
| 21     | SA2630001 | 1    | イトトリバネストツパ                   | STOPPER   |    |
| 22     | 062350516 | 1    | ナベコ35X5                      | SCREW PAN M3.5X5                                |    |
| 23     | 145446002 | 4    | イトチヨウシサラ                     | DISC TENSION                                    |    |
| 24     | 159805001 | 2    | イトチヨウシサラオサエ                  | TENSION DISC PRESSER                            |    |
| 25     | S20681000 | 2    | チヨウシバネウエザガネ                  | WASHER  |    |
| 26     | S20682111 | 2    | イトチヨウシナット                    | TENSION NUT                                     |    |
| 27     | 144504001 | 4    | イトアンナイサラ                     | THREAD GUIDE DISC                               |    |
| 28     | 154560101 | 2    | プレテンションバネA                   | PRE-TENSION SPRING A                            |    |
| 29     | 155510001 | 2    | イトチヨウシナット                    | TENSION NUT                                     |    |
| 30     | SA2632001 | 1    | イトユルメイタ                      | TENSION RELEASE PLATE                           |    |
| 31     | 012500536 | 1    | アナヒラ5X5                      | SET SCREW SOCKET (FT) M5X5                      |    |
| 32     | S38274001 | 1    | イトユルメバネ                      | T-RELEASE SPRING                                |    |
| 33     | SA2633001 | 2    | ダンネジ3.5                      | SHOULDER SCREW M3.5                             |    |
| 34     | SA4506001 | 1    | イトユルメピンL                     | TENSION RELEASE PIN, L                          |    |
| 35     | SA4507001 | 1    | イトユルメピンR                     | TENSION RELEASE PIN, R                          |    |
| 36     | SA2634001 | 1    | ア-ムイトアンナイU                   | THREAD GUIDE, U: ARM                            |    |
| 37     | 004350616 | 2    | +サラコ3.5X6                    | SCREW FLAT M3.5X6                               |    |
| 38     | SA2635001 | 1    | イトリヨウチヨウセイ                   | THREAD QUANTITY ADJUST                          |    |
| 39     | 062300616 | 1    | ナベコ3X6                       | SCREW PAN M3X6                                  |    |
| 40     | 062500816 | 2    | ナベコ5X8                       | SCREW PAN M5X8                                  |    |
| 41     | SA2636001 | 2    | ミツメイトカケ                      | THREAD RETAINER                                 |    |
| 42     | 012060636 | 2    | アナヒラ6X6                      | SET SCREW SOCKET (FT) M6X6                      |    |
| 43     | SA2637001 | 1    | イトユルメジク                      | BAR, TENSION RELEASE                            |    |
| 44     | SA2638001 | 1    | ア-ムイトアンナイM                   | THREAD GUIDE, M: ARM                            |    |
| 45     | SA2640001 | 1    | サラネジ5X8                      | SCREW FLAT M5X8                                 |    |
| 47     | SA2640001 | 1    | サラネジ5X8                      | SCREW FLAT M5X8                                 |    |
| 48     | SA2639001 | 1    | <T-8421D用><br>ア-ムイトアンナイD     | <For T-8421D><br>THREAD GUIDE, D: ARM           |    |
| 49     | 114941001 | 1    | ア-ムイトアンナイフェルト                | FELT  |    |
| 50     | SA2638001 | 1    | <T-8422D用><br>ア-ムイトアンナイM     | <For T-8422D><br>THREAD GUIDE, M: ARM           |    |



| REF.NO | CODE      | Q'TY | 品名            | NAME OF PARTS                 | RM |
|--------|-----------|------|---------------|-------------------------------|----|
| 1      | SA2607401 | 1    | ウワイトチヨウシクミ-5  | UPPER THREAD TENSION ASSY, -5 |    |
| 2      | SA3416101 | 2    | イトチヨウシバネLL    | TENSION SPRING LL             |    |
| 3      | SA4212001 | 1    | イトチヨウシダイクミ    | TENSION PLATE ASSY            |    |
| 4      | SA2613001 | 1    | チヨウシジク        | TENSION STUD                  |    |
| 5      | SA2614201 | 1    | イトトリバネL       | THREAD TAKE-UP SPRING, L      |    |
| 6      | SA2615001 | 2    | イトトリバネアンナイクミ  | GUIDE ASSY, T/TAKE-UP SPRING  |    |
| 7      | SA2619001 | 1    | スペーサ-         | SPACER                        |    |
| 8      | SA2623201 | 1    | イトトリバネR       | THREAD TAKE-UP SPRING, R      |    |
| 9      | SA2620001 | 1    | カラ-           | COLLAR                        |    |
| 10     | SA2621001 | 1    | ストツパウケ        | STOPPER SUPPORT               |    |
| 11     | 021300106 | 1    | 1シュナツト3       | NUT 1 M3                      |    |
| 12     | SA2626001 | 1    | トメネジ3.5       | SET SCREW (CP) M3.5           |    |
| 13     | SA2624001 | 1    | バネアンナイトメネジ    | SPRING GUIDE SET SCREW        |    |
| 14     | SA2625001 | 1    | チヨウセツツマミ      | ADJUSTING THUMB               |    |
| 15     | SA2626001 | 1    | トメネジ3.5       | SET SCREW (CP) M3.5           |    |
| 16     | SA2627001 | 1    | カラ-           | COLLAR                        |    |
| 17     | SA2628001 | 1    | イトチヨウシナツト     | TENSION NUT                   |    |
| 18     | SA2629001 | 1    | イトトリバネストツパ    | STOPPER                       |    |
| 19     | 004350616 | 1    | +サラコ3.5X6     | SCREW FLAT M3.5X6             |    |
| 20     | SA2824001 | 1    | マワリドメナツトM3.5  | NUT, WHIRL-STOP M3.5          |    |
| 21     | SA2630001 | 1    | イトトリバネストツパ    | STOPPER                       |    |
| 22     | 062350516 | 1    | ナベコ35X5       | SCREW PAN M3.5X5              |    |
| 23     | 145446001 | 4    | イトチヨウシサラ      | DISC, TENSION                 |    |
| 24     | 159805001 | 2    | イトチヨウシサラオサエ   | TENSION DISC PRESSER          |    |
| 25     | S20681000 | 2    | チヨウシバネウエザガネ   | WASHER                        |    |
| 26     | S20682111 | 2    | イトチヨウシナツト     | TENSION NUT                   |    |
| 27     | 144504001 | 4    | イトアンナイサラ      | THREAD GUIDE DISC             |    |
| 28     | 154560101 | 2    | プレテンションバネA    | PRE-TENSION SPRING, A         |    |
| 29     | 155510001 | 2    | イトチヨウシナツト     | TENSION NUT                   |    |
| 30     | SA2632001 | 1    | イトユルメイタ       | TENSION RELEASE PLATE         |    |
| 31     | 012500536 | 1    | アナヒラ5X5       | SET SCREW SOCKET (FT) M5X5    |    |
| 32     | S38274001 | 1    | イトユルメバネ       | T-RELEASE SPRING              |    |
| 33     | SA2633001 | 2    | ダンネジ3.5       | SHOULDER SCREW, M3.5          |    |
| 34     | SA4506001 | 1    | イトユルメピンL      | TENSION RELEASE PIN, L        |    |
| 35     | SA4507001 | 1    | イトユルメピンR      | TENSION RELEASE PIN, R        |    |
| 36     | SA2634001 | 1    | ア-ムイトアンナイU    | THREAD GUIDE, U: ARM          |    |
| 37     | 004350616 | 2    | +サラコ3.5X6     | SCREW FLAT M3.5X6             |    |
| 38     | SA2635001 | 1    | イトリヨウチヨウセイ    | THREAD QUANTITY ADJUST        |    |
| 39     | 062300616 | 1    | ナベコ3X6        | SCREW PAN M3X6                |    |
| 40     | SA6378001 | 1    | キャツブ          | CAP                           |    |
| 41     | SA2639001 | 1    | ア-ムイトアンナイD    | THREAD GUIDE, D: ARM          |    |
| 42     | 114941001 | 1    | ア-ムイトアンナイフェルト | FELT                          |    |
| 43     | 062500816 | 2    | ナベコ5X8        | SCREW PAN M5X8                |    |
| 44     | SA2636001 | 2    | ミツメイトカケ       | THREAD RETAINER               |    |
| 45     | 012060636 | 2    | アナヒラ6X6       | SET SCREW SOCKET (FT) M6X6    |    |
| 46     | SA2637001 | 1    | イトユルメジク       | BAR, TENSION RELEASE          |    |
| 47     | SA2638001 | 1    | ア-ムイトアンナイM    | THREAD GUIDE, M: ARM          |    |
| 48     | SA2640001 | 2    | サラネジ5X8       | SCREW FLAT M5X8               |    |