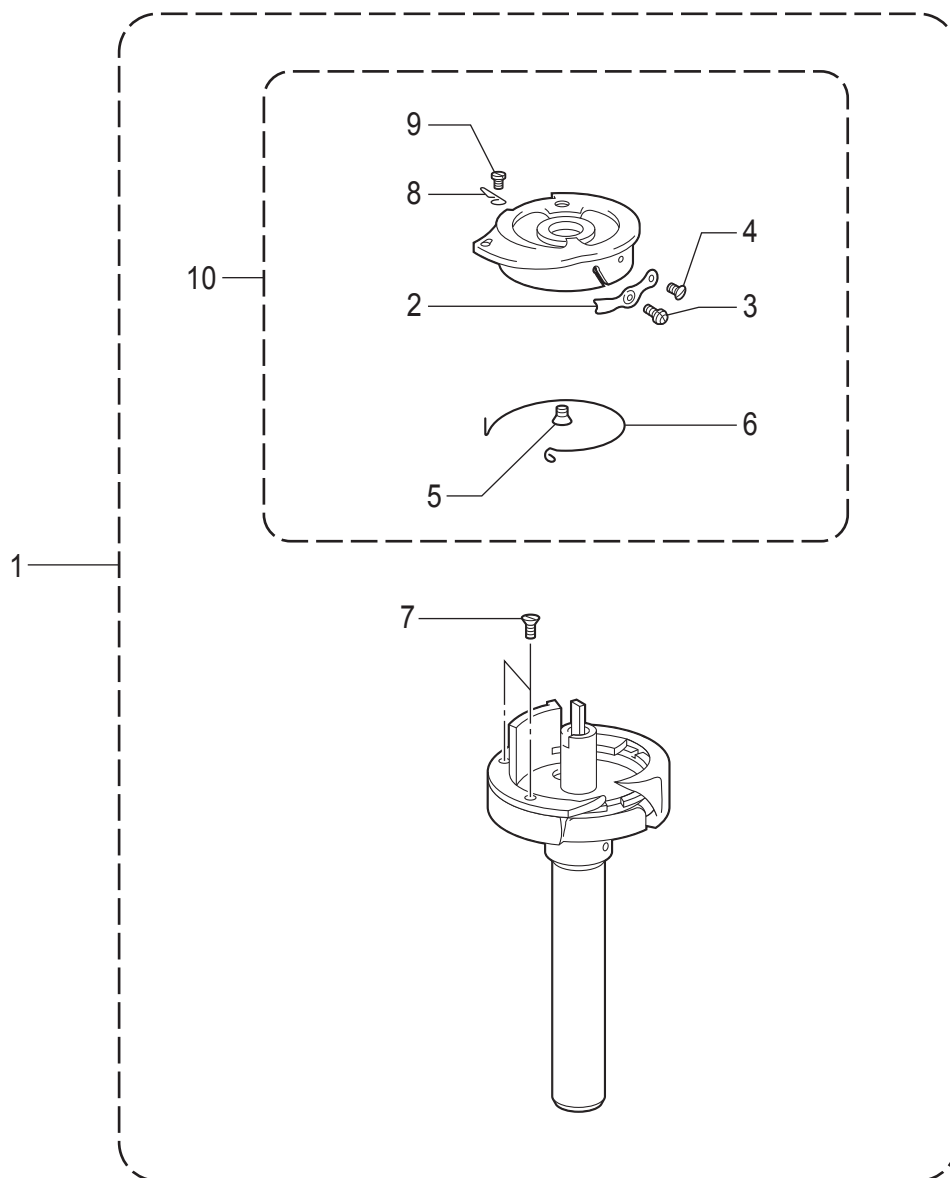


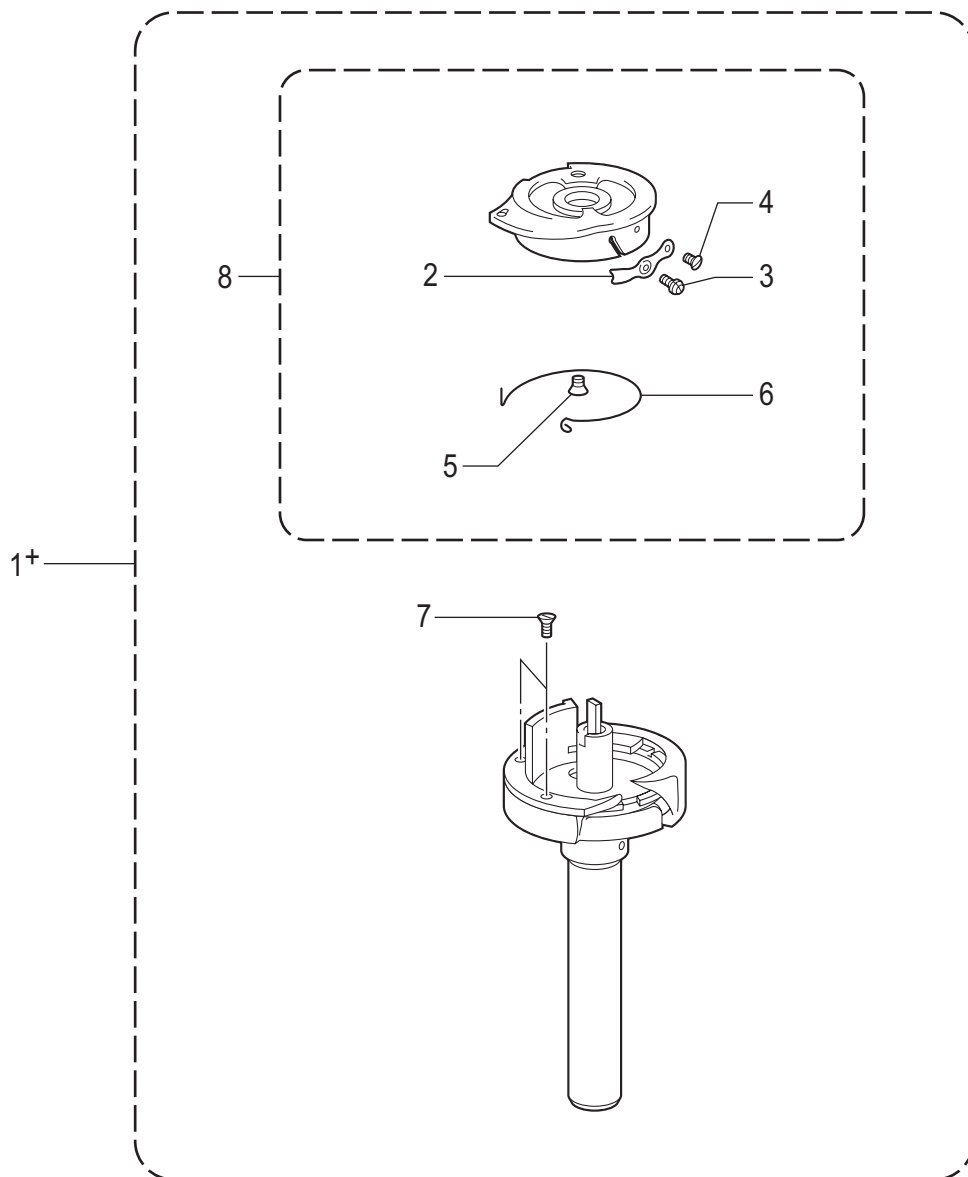
T-8452D



K2. 旋梭装置 / Rotary hook mechanism

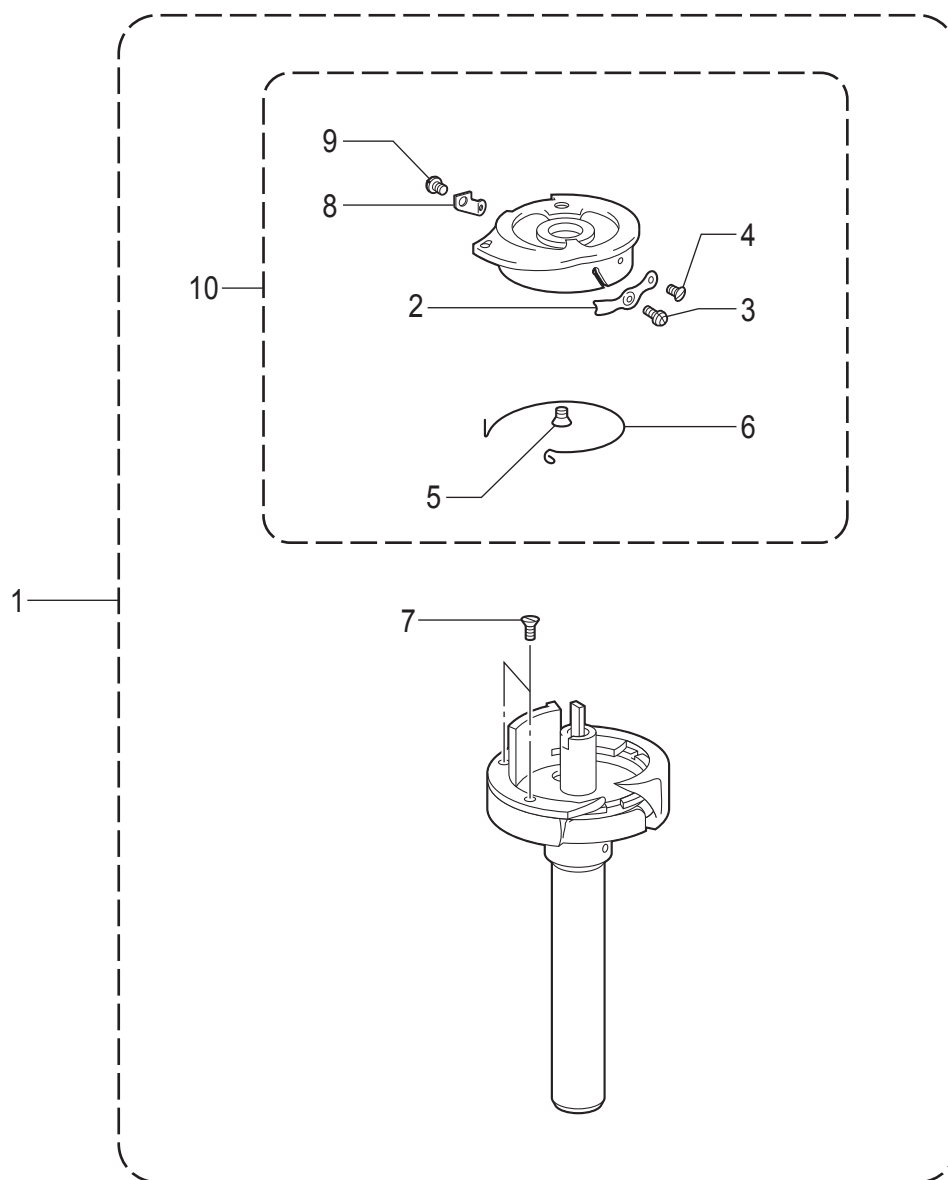
参照号	零部件序号	数量	零部件名称	NAME OF PARTS	RM
1	SA9783001	1	盒装旋梭组件 SA9457	ROTARY HOOK ASSY W/BOX SA9457	
2	151043001	1	夹线簧	TENSION SPRING	
3	S01567001	1	螺钉	TENSION ADJUSTING SCREW	
4	S01568001	1	螺钉	SET SCREW	
5	151035001	1	螺钉	SET SCREW	
6	151034001	1	弹簧	SPRING	
7	151027001	2	螺钉	SET SCREW	
8	159801001	1	压线钢丝	THREAD PRESSER WIRE	
9	SA8266001	1	螺钉 SM1.59X1.6	SCREW SM1.59X1.6	
10	S07742001	1	梭芯套组件	CAP ASSY	

T-8450C



REF.NO	CODE	Q'TY	品名	NAME OF PARTS	RM
1+	* P.38	1	カマハコクミ	ROTARY HOOK ASSY	
2	151025001	1	チヨウシバネ	TENSION SPRING	
3	S01567001	1	チヨウシネジ	TENSION ADJUSTING SCREW	
4	S01568001	1	チヨウシバネトメネジ	SET SCREW	
5	151035001	1	タルミトリバネトメネジ	SET SCREW	
6	151034001	1	シタイトタルミトリバネ	TENSION SPRING	
7	151027001	2	ウチカマオサエトメネジ	SET SCREW	
8	S07741001	1	キャップクミ	CAP ASSY	

T-8752D



K2. かま関係 / Rotary hook mechanism

REF.NO	CODE	Q'TY	品名	NAME OF PARTS	RM
1	SB0772001	1	SB0808カマハコクミ	ROTARY HOOK ASSY W/BOX SB0808	
2	155479001	1	チヨウシバネ	TENSION SPRING	
3	151029001	1	チヨウシネジ	TENSION ADJUSTING SCREW	
4	151030001	1	チヨウシバネトメネジ	SET SCREW	
5	151035001	1	タルミトリバネトメネジ	SET SCREW	
6	155478001	1	シタイトタルミトリバネ	SPRING	
7	151027001	2	ウチカマオサエトメネジ	SET SCREW	
8	S09284001	1	シタイトホジイタ	LOW THREAD HOLDING PLATE	
9	SA8266001	1	シメネジSM1.59X1.6	SCREW SM1.59X1.6	
10	S09280001	1	キャツプクミ	CAP ASSY	