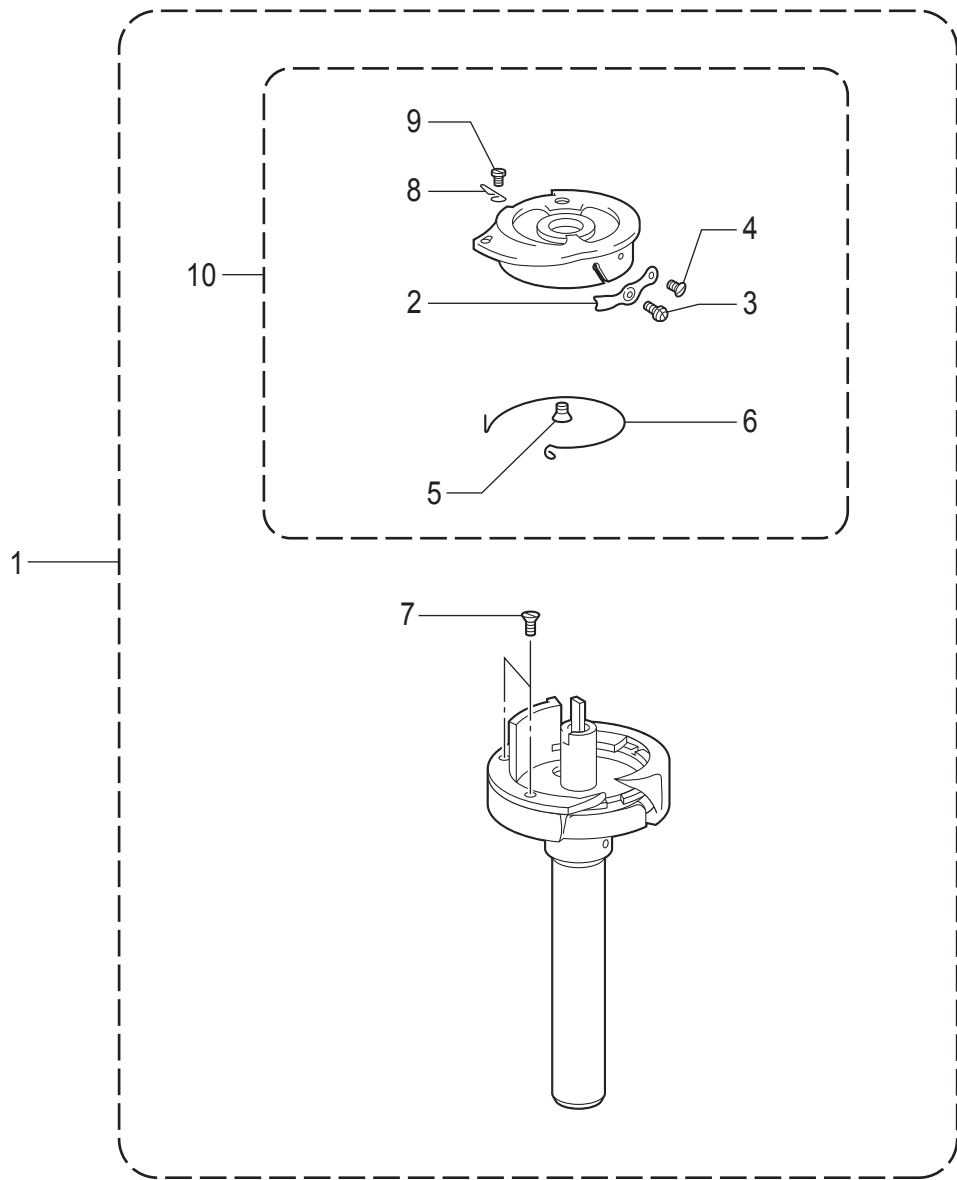


K2. 旋梭装置 / Rotary hook mechanism



## K2. 旋梭装置 / Rotary hook mechanism

参照号	零部件序号	数量	零部件名称	NAME OF PARTS	RM
1	SA9783001	1	盒装旋梭组件 SA9457	ROTARY HOOK ASSY W/BOX SA9457	
2	151043001	1	夹线簧	TENSION SPRING	
3	S01567001	1	螺钉	TENSION ADJUSTING SCREW	
4	S01568001	1	螺钉	SET SCREW	
5	151035001	1	螺钉	SET SCREW	
6	151034001	1	弹簧	SPRING	
7	151027001	2	螺钉	SET SCREW	
8	159801001	1	压线钢丝	THREAD PRESSER WIRE	
9	SA8266001	1	螺钉 SM1.59X1.6	SCREW SM1.59X1.6	
10	S07742001	1	梭芯套组件	CAP ASSY	