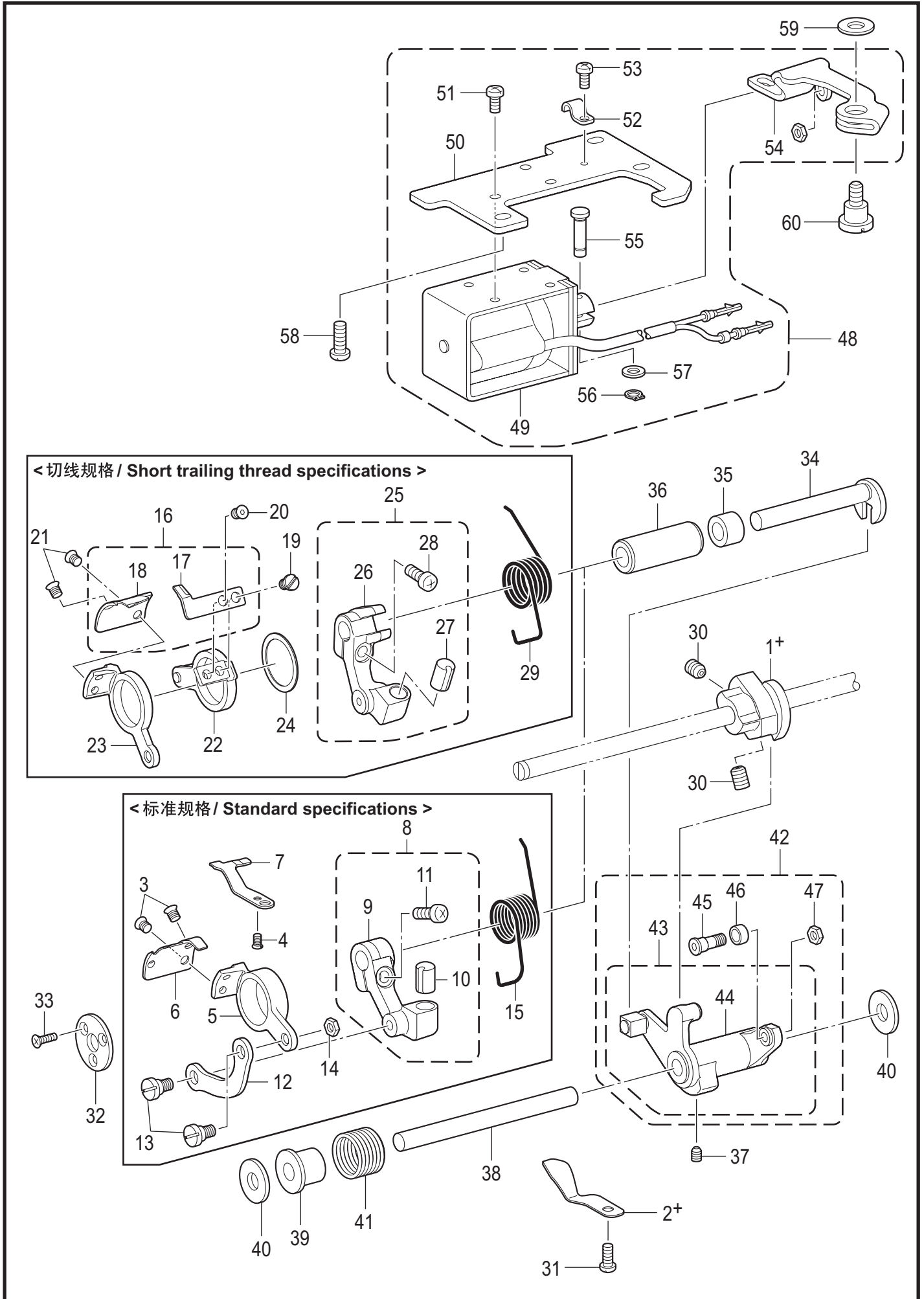


K. 切线装置 / Thread trimmer mechanism



K. 切线装置 / Thread trimmer mechanism

参照号	零部件序号	数量	零部件名称	NAME OF PARTS	RM
			<标准规格>	<Standard specifications>	
1+	S00337021	1	切线凸轮	THREAD TRIMMER CAM	
2+	SB7681001	1	分线器	LOWER THREAD FINGER	
3	148537101	2	螺钉 SM4.37	SCREW, FLAT (W/SOCKET) SM4.37	
4	102843004	1	平头螺钉 SM3.57	SCREW, FLAT SM3.57	
5	SB7616001	1	刀架	MOVABLE KNIFE HOLDER	
6	S02645001	1	动刀	MOVABLE KNIFE	
7	S02637101	1	固定刀	FIXED KNIFE	
8	SB7356101	1	切线器杆组件	THREAD TRIMMER LEVER ASSY	
9	SB7341101	1	切线器杆	THREAD TRIMMER LEVER	
10	SA7285101	1	手杆定位	LEVER STOPPER	
11	062501416	1	螺钉 M5X14	SCREW PAN M5X14	
12	SB7340101	1	切线连杆	THREAD TRIMMER CONNECTING ROD	
13	151987022	2	轴位螺钉 SM4.37	SHOULDER SCREW, SM4.37	
14	105234003	1	螺母 SM4.37	NUT SM4.37	
15	SB7349001	1	弹簧	SPRING EXTENSION	
			<切线规格>	<Short trailing thread specifications>	
1+	SB4944001	1	切线凸轮 B	THREAD TRIMMER CAM B	
2+	SB4954101	1	分线器	LOWER THREAD FINGER	
16	SB7723001	1	切刀组件 L	KNIFE ASSY L	
17	SB4941001	1	上刀	UPPER KNIFE	
18	SB7032001	1	下切刀 L	LOWER KNIFE L	
19	SB4943001	1	螺钉 M4.37	FLAT SCREW 4.37	
20	148537101	1	螺钉 SM4.37	SCREW, FLAT (W/SOCKET) SM4.37	
21	148537101	2	螺钉 SM4.37	SCREW, FLAT (W/SOCKET) SM4.37	
22	SB7615001	1	上切刀架	UPPER KNIFE HOLDER ASSY	
23	SB7594001	1	下切刀架	LOWER KNIFE HOLDER	
24	SB4969001	1	垫圈	SPACER	
25	SB7679001	1	切线器杆组件	THREAD TRIMMER LEVER ASSY	
26	SB7595001	1	切线手杆	THREAD TRIMMER LEVER	
27	SA7285101	1	手杆定位	LEVER STOPPER	
28	062501416	1	螺钉 M5X14	SCREW PAN M5X14	
29	SB7684001	1	弹簧	SPRING EXTENSION	
30	014771032	2	固定螺钉 SM6.35-40X10	SET SCREW SOCKET SM6.35-40X10	
31	060400616	1	螺钉 M4X6	SCREW BIND M4X6	
32	SA7287001	1	切线架压板	KNIFE HOLDER PRESSER PLATE	
33	004301016	3	螺钉 M3X10	SCREW FLAT M3X10	
34	SB3802001	1	切刀驱动曲柄轴	FORKED SHAFT	
35	S02648021	1	曲柄轴套	COLLAR	
36	SB3803001	1	叉轴轴套	FORKED SHAFT BUSH	
37	S23651001	1	固定螺钉 M6X6	SET SCREW SOCKET (FT) M6X6	
38	SB7342001	1	切线凸轮杆轴	THREAD TRIMMER CAM LEVER SHAFT	
39	154594000	1	挡圈	COLLAR	
40	S25434000	2	橡皮垫圈	RUBBER CUSHION	
41	SB4961001	1	切线凸轮复位弹簧	SPRING EXTENSION	
42	SB7343001	1	切线凸轮杆总组件	THREAD TRIMMER CAM LEVER UNIT	
43	SB7344001	1	切线凸轮杆组件	THREAD TRIMMER CAM LEVER ASSY	
44	SB7345001	1	切线凸轮杆	THREAD TRIMMER CAM LEVER	
45	SB3804001	1	滚轮轴 C	ROLLER SHAFT C	
46	SB3805001	1	滚轮	ROLLER	
47	105234003	1	螺母 SM4.37	NUT SM4.37	
48	SB7346001	1	切线电磁铁组件	THREAD TRIMMER SOLENOID ASSY	
49	SB7441001	1	切线电磁铁	THREAD TRIMMER SOLENOID	
50	SB7347001	1	电磁铁安装板	SOLENOID BASE	
51	062400816	3	螺钉 M4X8	SCREW PAN M4X8	
52	140647101	1	电线固定夹	CORD HOLDER	
53	062400816	1	螺钉 M4X8	SCREW PAN M4X8	
54	SB7348001	1	电磁铁杆	SOLENOID LEVER	
55	SA9716001	1	销	PIN	