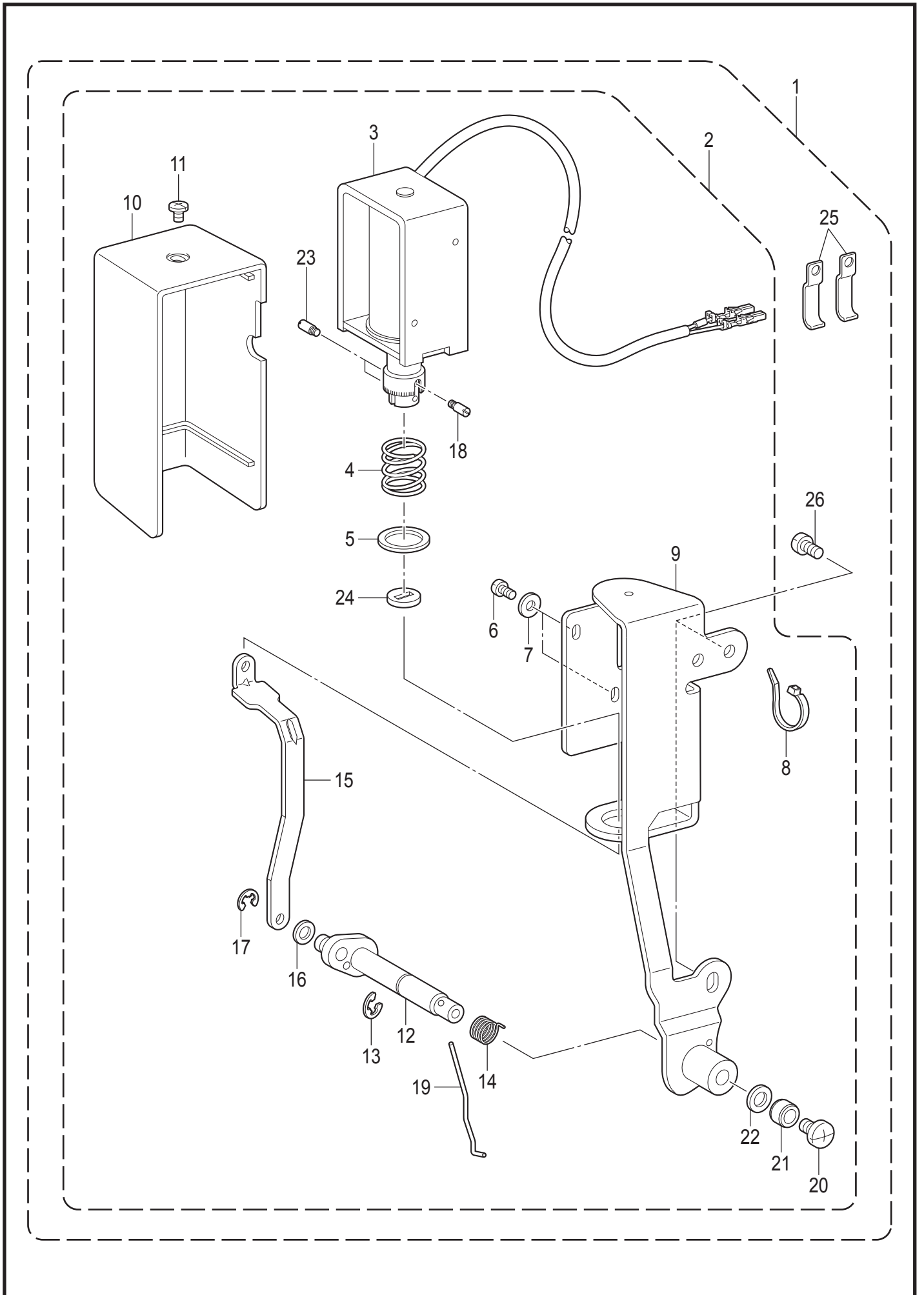


P. 扫线装置 / Thread wiper mechanism



S-7220D-405