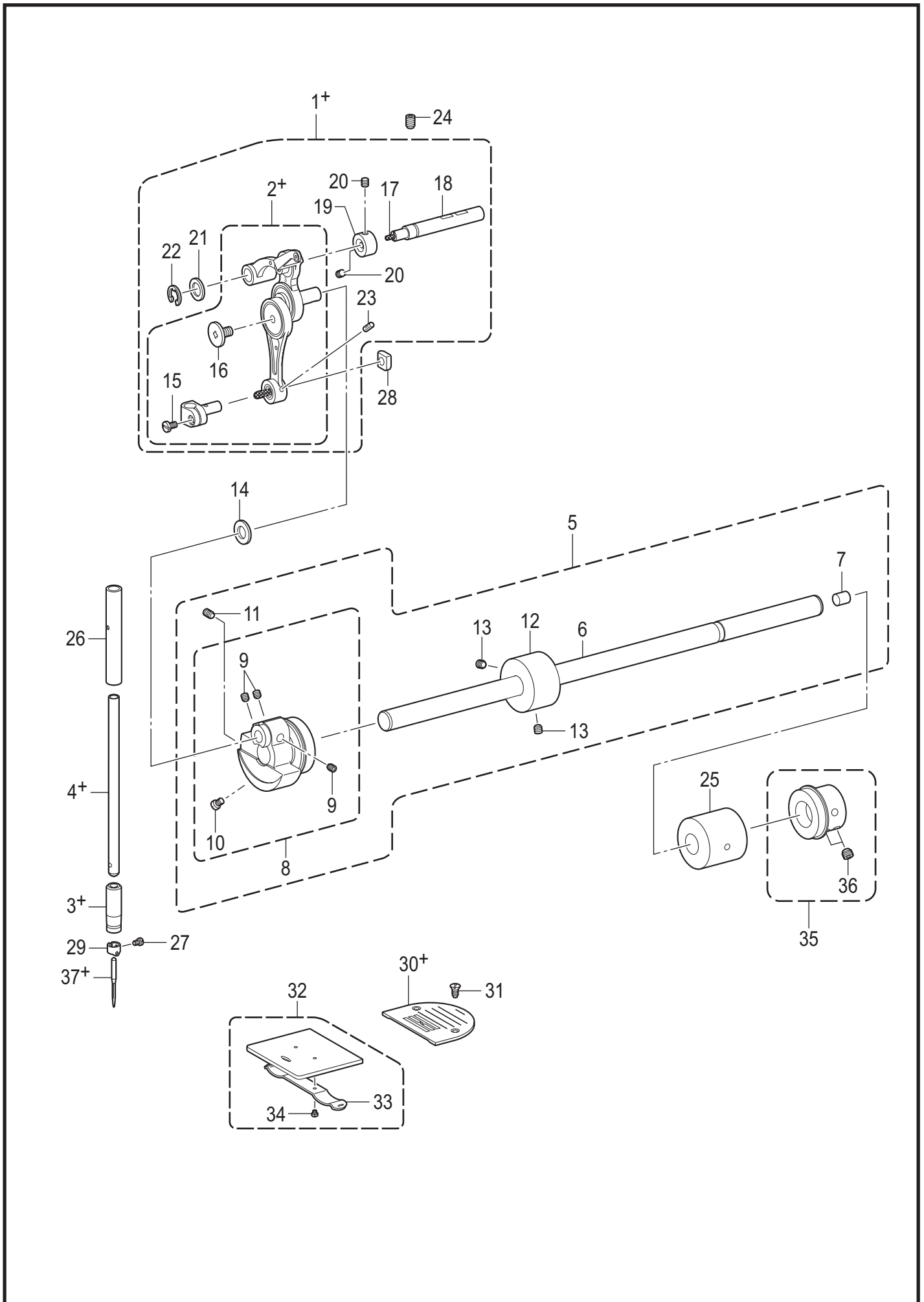


B. 针杆和挑线杆装置 / Needle bar and thread take-up mechanism



B. 针杆和挑线杆装置 / Needle bar and thread take-up mechanism

参照号	零部件序号	数量	零部件名称	NAME OF PARTS	RM
			<用于-□03>	<For -□03>	
1+	SB3770001	1	针杆连杆总组件	NEEDLE BAR CONNECTING ROD UNIT	
2+	SB3771001	1	针杆连杆组件	NEEDLE BAR CONNECTING ROD ASSY	
3+	SB3783001	1	针杆轴套 D	NEEDLE BAR BUSH D	
4+	*P.47-50	1	针杆 DB	NEEDLE BAR DB	
4+	*P.47-50	1	针杆 DP	NEEDLE BAR DP	
			<用于-□05>	<For -□05>	
1+	SB3777001	1	针杆连杆总组件	NEEDLE BAR CONNECTING ROD UNIT	
2+	SB3778001	1	针杆连杆组件	NEEDLE BAR CONNECTING ROD ASSY	
3+	SB3784001	1	针杆轴套 D	NEEDLE BAR BUSH D	
4+	*P.47-50	1	针杆	NEEDLE BAR	
5	SB7277001	1	上轴组件	UPPER SHAFT ASSY	
6	SB7278001	1	上轴	UPPER SHAFT	
7	SB2407001	1	橡皮塞 6.4	RUBBER CAP 6.4	
8	SB3447001	1	挑线杆曲柄组件	THREAD TAKE-UP CRANK ASSY	
9	014770632	3	螺钉 SM6.35-40X6	SET SCREW SOCKET SM6.35-40X6	
10	SB3769001	1	螺钉 SM7.14-28	SCREW SM7.14-28	
11	014771032	1	固定螺钉 SM6.35-40X10	SET SCREW SOCKET SM6.35-40X10	
12	SB7279001	1	绕线驱动轮	BOBBIN WINDER DRIVING WHEEL	
13	S23651001	2	固定螺钉 M6X6	SET SCREW SOCKET (FT) M6X6	
14	SA8145001	1	垫圈	WASHER	
15	140004001	1	螺钉 SM3.57-40X7	SCREW, SM3.57-40X7	
16	SA2422001	1	螺钉 SM3.57-40X6L	SCREW, SM3.57L	
17	158727001	1	油线 4X4 L=27	WICK, 4X4 L=27	
18	SB3775001	1	挑线杆支撑轴	THREAD TAKE-UP SUPPORT SHAFT	
19	SB3776001	1	紧圈	SET SCREW COLLAR	
20	012400536	2	螺钉 M4X5	SET SCREW SOCKET (FT) M4X5	
21	SA2161001	1	垫圈	WASHER	
22	048060342	1	挡圈 E6	RETAINING RING E6	
23	SA8436001	1	油毡	FELT	
24	012060636	2	螺钉 M6X6	SET SCREW SOCKET (FT) M6X6	
25	SB7280001	1	上轴轴套 M	UPPER SHAFT BUSH M	
26	SB3782001	1	针杆轴套 U	NEEDLE BAR BUSH U	
27	140553102	1	固定螺钉 SM3.18	SET SCREW, SM3.18	
28	SB3458001	1	针杆导向滑块	NEEDLE BAR GUIDE SLIDE BLOCK	
29	151594001	1	针杆过线环	NEEDL BAR THREAD GUIDE	
			<用于-□03>	<For -□03>	
30+	*P.47-50	1	针板 E18	NEEDLE PLATE E18	
			<用于-□03 日本>	<For -□03 Japan>	
30+	*P.47-50	1	针板 B18M	NEEDLE PLATE B18M	
			<用于-□05>	<For -□05>	
30+	*P.47-50	1	针板 H26	NEEDLE PLATE H26	
			<用于-□05 日本>	<For -□05 Japan>	
30+	*P.47-50	1	针板 B26	NEEDLE PLATE B26	
31	SB4190001	2	螺钉 SM4.37-40X8	SCREW FLAT SM4.37-40X8	
32	180018151	1	推板组件	SLIDE PLATE ASSY	
33	114561001	1	推板簧	SPRING, PLATE	
34	SA9523001	2	螺钉 SM2.38	SCREW SM2.38	
35	SB7282001	1	接头组件	JOINT ASSY	
36	S23651001	4	固定螺钉 M6X6	SET SCREW SOCKET (FT) M6X6	
			<用于-□03>	<For -□03>	
37+	*P.47-50	1	机针DBX1...(#11)	NEEDLE DBX1...(#11)	
37+	*P.47-50	1	机针DBX1...(#14)	NEEDLE DBX1...(#14)	
37+	*P.47-50	1	机针DPX5...(#11)	NEEDLE DPX5...(#11)	
			<用于-□05>	<For -□05>	
37+	*P.47-50	1	机针DBX1...(#22)	NEEDLE DBX1...(#22)	
37+	*P.47-50	1	机针DPX5...(#22)	NEEDLE DPX5...(#22)	