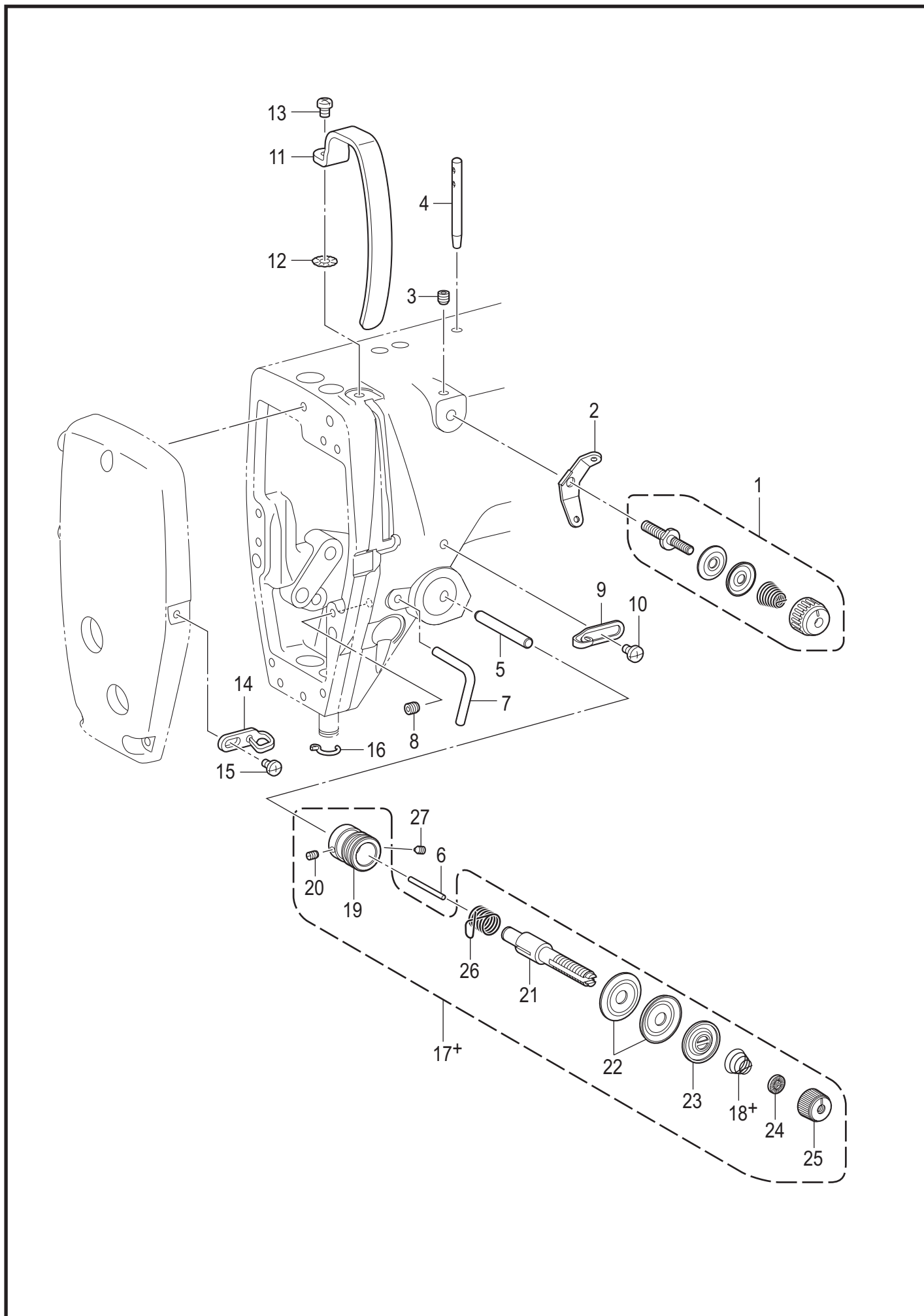


H. 穿线装置 / Threading mechanism



H. 穿线装置 / Threading mechanism

参照号	零部件序号	数量	零部件名称	NAME OF PARTS	RM
1	SB6626001	1	小夹线小组件	PRE-TENSION SUB ASSY	
2	SB6627001	1	线导向	THREAD GUIDE	
3	012500536	1	螺钉 M5X5	SET SCREW SOCKET (FT) M5X5	
4	SB3595101	1	穿线杆	SPOOL PIN	
5	SA8178001	1	松线杆	TENSION RELEASE STUD	
6	150551020	1	松线销	TENSION RELEASE PIN	
7	SB3530001	1	线导向	ARM THREAD GUIDE	
8	012500536	1	螺钉 M5X5	SET SCREW SOCKET (FT) M5X5	
9	SA1345001	1	机壳线导向R	ARM THREAD GUIDE R	
10	060500616	1	螺钉 M5X6	SCREW BIND M5X6	
11	SA9854001	1	挑线杆防护罩	THREAD TAKE-UP LEVER COVER	
12	SB0544001	1	止动圈	WASHER	
13	062501016	1	螺钉 M5X10	SCREW PAN M5X10	
14	SA7271001	1	线导线	FACE PLATE THREAD GUIDE	
15	060300606	1	螺钉 M3X6	SCREW BIND M3X6	
16	SA7272201	1	线导向	THREAD GUIDE D	
			<用于-□03>	<For -□03>	
17+	SB3572001	1	夹线器组件	THREAD TENSION BRACKET ASSY	
18+	104525102	1	夹线弹簧	TENSION SPRING	
			<用于-□05>	<For -□05>	
17+	SB3574001	1	夹线器组件	THREAD TENSION BRACKET ASSY	
18+	S04632102	1	夹线弹簧	TENSION SPRING	
19	SB1600001	1	夹线器基座	THREAD TENSION BRACKET	
20	100402004	1	固定螺钉 SM3.57	SET SCREW SM3.57	
21	116922201	1	夹线螺杆	TENSION STUD	
22	145446021	2	夹线盘	DISC TENSION	
23	SB3618001	1	压线圈	TENSION DISC PRESSER	
24	SB4216001	1	止动垫圈	WASHER	
25	SB4038001	1	夹线螺母	TENSION NUT	
26	S02620401	1	挑线弹簧	THREAD TAKE-UP SPRING	
27	SA1229101	1	螺钉 M6X6	SETSCREW (FT) M6X6	