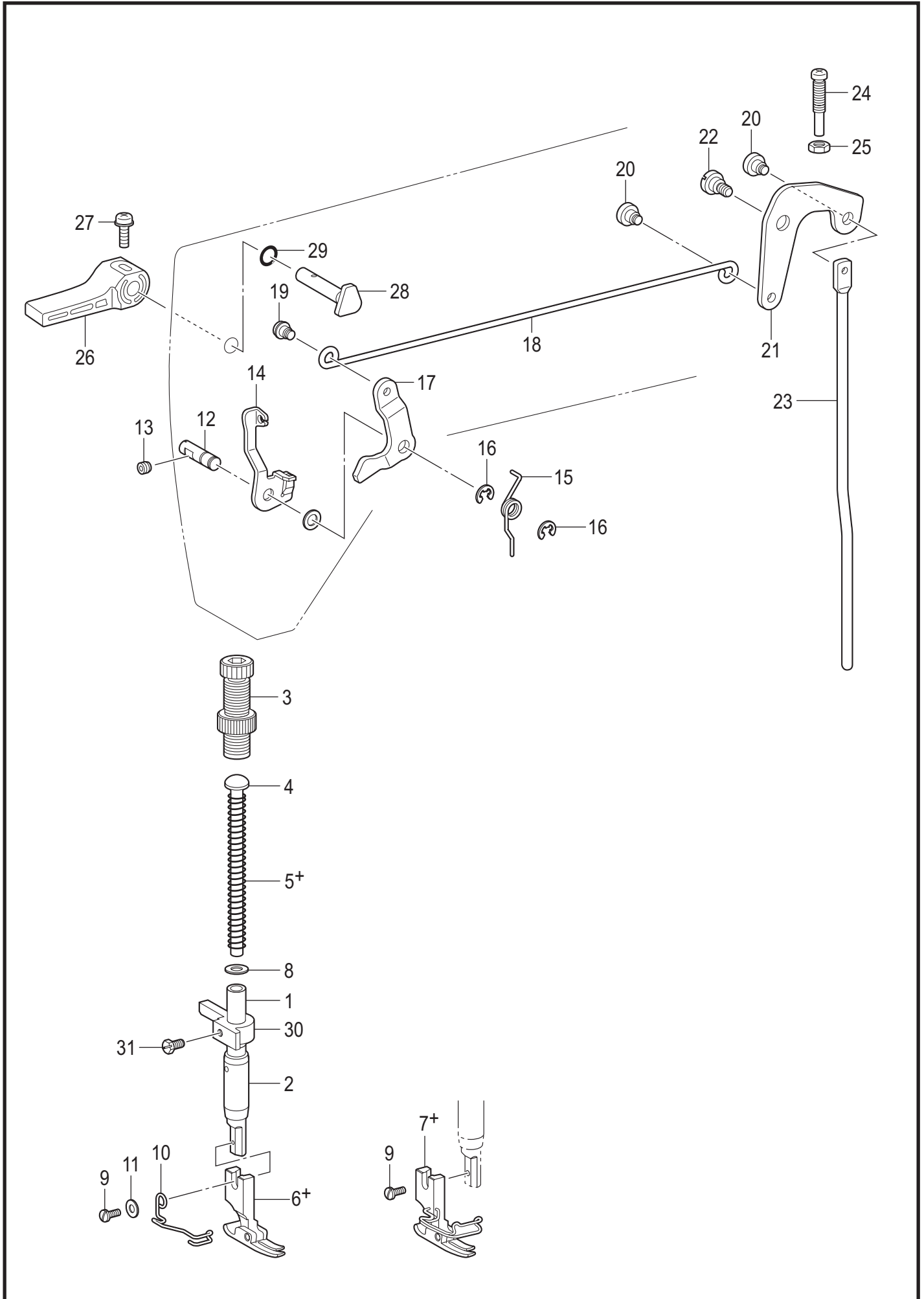


C. 压脚装置 / Presser foot mechanism



C. 压脚装置 / Presser foot mechanism

参照号	零部件序号	数量	零部件名称	NAME OF PARTS	RM
1	111466121	1	压紧杆	PRESSER BAR	
2	SB3785001	1	压紧杆轴套	PRESSER BAR BUSH	
3	SB2267002	1	调压螺栓组件	PRESSER ADJUSTING SCREW ASSY	
4	SB3786001	1	弹簧导杆	SPRING GUIDE	
5+	S13561101	1	<用于-□03> 压杆弹簧	<For -□03> PRESSER BAR SPRING	
5+	141728001	1	<用于-□05> 压杆弹簧	<For -□05> PRESSER BAR SPRING	
6+	*P.47-50	1	<使用螺钉固定护指器> <用于-□03> 压脚组件	<Finger guard screwed type> <For -□03> PRESSER FOOT ASSY	
6+	*P.47-50	1	<用于-□05> 压脚组件	<For -□05> PRESSER FOOT ASSY	
6+	*P.47-50	1	<用于-□05 日本> 压脚组件	<For -□05 Japan> PRESSER FOOT ASSY	
7+	*P.49	1	<护指器一体式> <用于-□03> 压脚组件	<Finger guard integral type> <For -□03> PRESSER FOOT ASSY W/F-GUARD	
7+	*P.49	1	<用于-□05> 压脚组件	<For -□05> PRESSER FOOT ASSY W/F-GUARD	
8	140407001	1	垫圈	WASHER	
9	S13385001	1	螺钉 SM3.57-40X10	SCREW, SM3.57-40X10	
10	150384101	1	护指器	FINGER GUARD	
11	025350132	1	平垫圈 S3.5	WASHER PLAIN S 3.5	
12	SA8152101	1	膝控提升杆短轴	PRESSER BAR LIFTER SHAFT	
13	012500536	1	螺钉 M5X5	SET SCREW SOCKET (FT) M5X5	
14	S02546402	1	松线架	TENSION RELEASE PLATE	
15	S46736001	1	弹簧	W-CLAMP LIFTER LEVER SPRING	
16	048040342	2	挡圈 E4	RETAINING RING E4	
17	145580001	1	膝控提升左杠杆	LIFTER LEVER P-BAR	
18	SB7286001	1	膝控连杆	KNEE LIFTER CONNECTING ROD	
19	SB3878001	1	轴位螺钉 SM4.76	SHOULDER SCREW SOCKET SM4.76	
20	SA1179001	2	轴位螺钉 M5	SHOULDER SCREW, M5	
21	SB7287001	1	膝控提升手杆	KNEE LIFTER LEVER	
22	SA2165001	1	轴位螺钉 M6	SHOULDER SCREW, M6	
23	SB7288101	1	膝控提升杆	KNEE LIFTER BAR	
24	062063016	1	螺钉 M6X30	SCREW PAN M6X30	
25	021060306	1	六角螺母 M6	NUT 3 M6	
26	S31006002	1	抬压脚扳手	LIFTING LEVER	
27	S39051001	1	螺钉(带垫圈) M3.5X12	SCREW, PAN (S/P W) M3.5X12	
28	S31952021	1	压紧杆扳手曲柄	PRESSER BAR LIFTER CRANK	
29	081004070	1	O形圈 P4	O RING P4	
30	SB4285001	1	压紧杆导架	PRESSER BAR GUIDE BRACKET	
31	142403001	1	螺钉 SM5.95-28X10	BOLT, (CP) SM5.95-28X10	